

MATHEMATICAL EXPLORATIONS SEMINAR SERIES

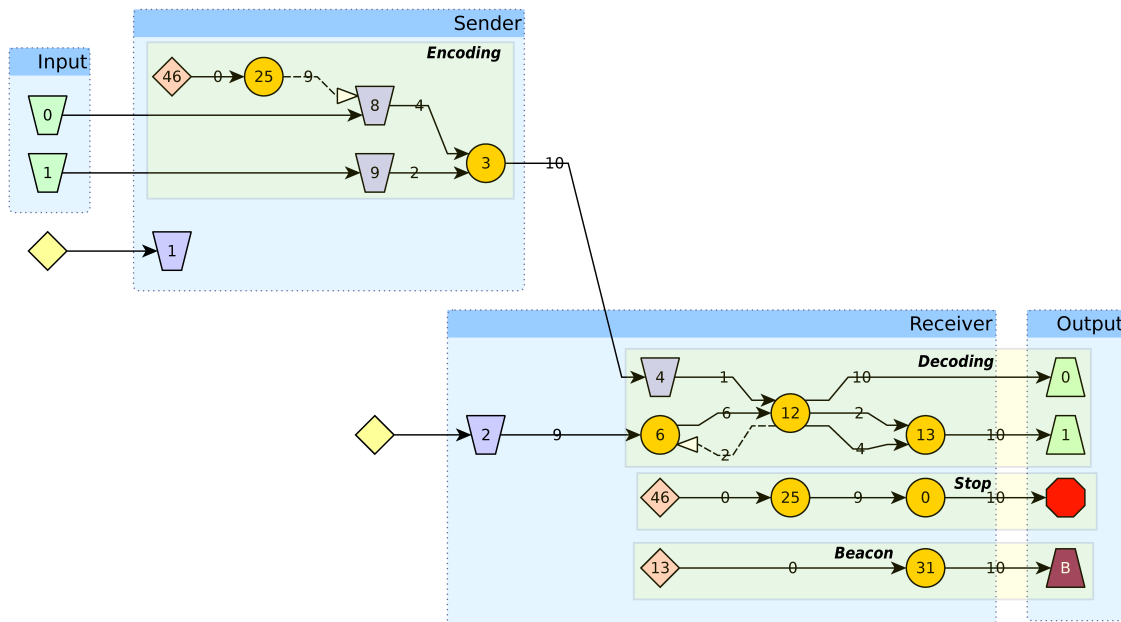
[Seminar talks designed for undergraduate students]

Using artificial life simulations to test hypotheses about evolutionary dynamics

Professor Garrett Mitchener

Wed., April 6, 2016 at 3:10 pm, 104 RS Small

Natural selection exerts complex forces on populations, individuals, and genomes. The field of mathematical phylogenetics is about recovering the branching history of species from their genotypes and phenotypes. I'll explain a quirk of human genetic history, how I've been using simulations to try to understand it, and how all of this relates to understanding the evolution of human language.



Please join us for cookies in the Math Lounge:

346 RS Small at 2:45 pm.