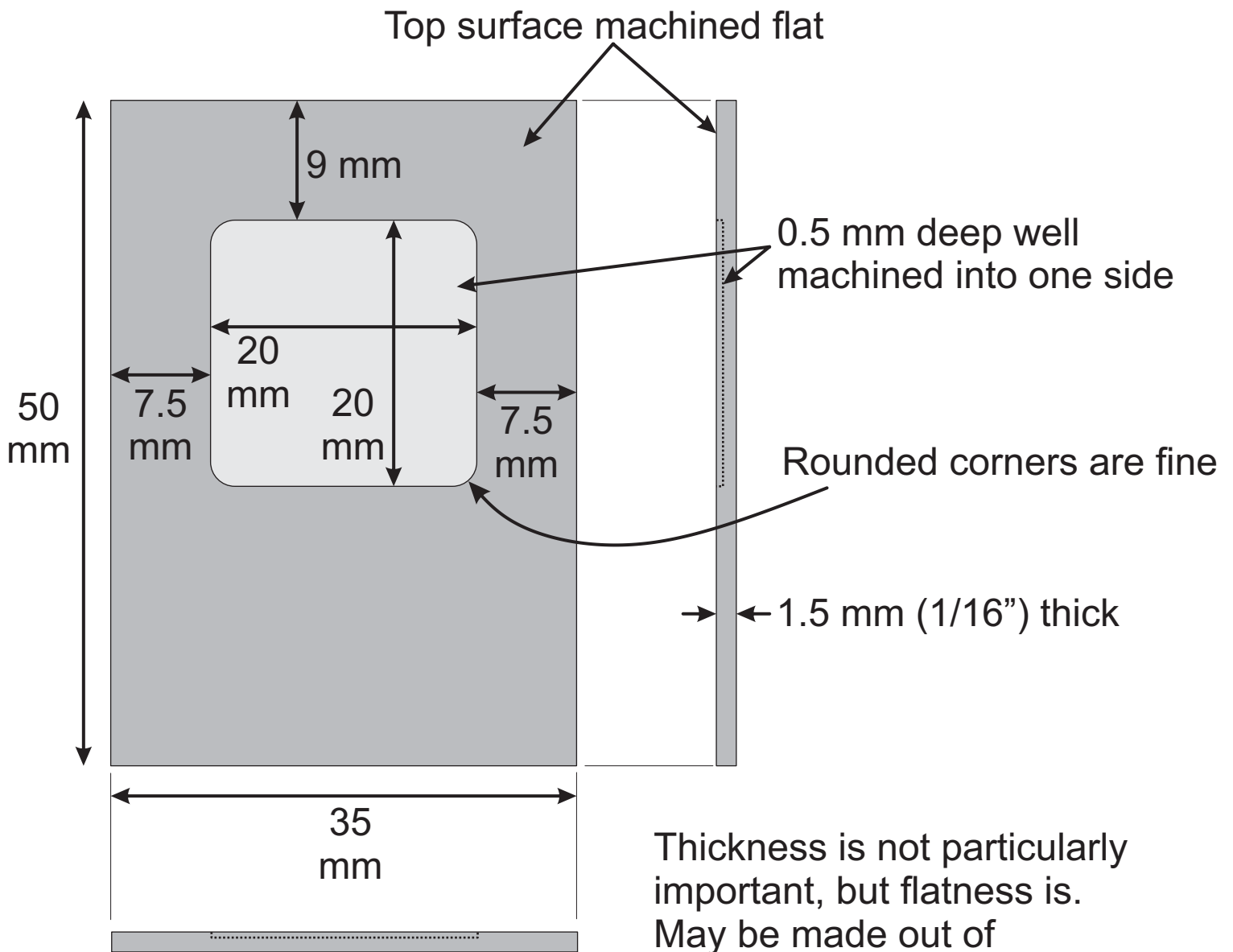


X-ray diffraction standard well sample mount



Thickness is not particularly important, but flatness is. May be made out of aluminum plate, stiff, flat plastic, or glass (with appropriate diamond tool and machining technique).