

APPENDIX B

Examples of Detailed R&D Plans
for Fusion Nuclear Technology
from the FINESSE Study (1984-87)

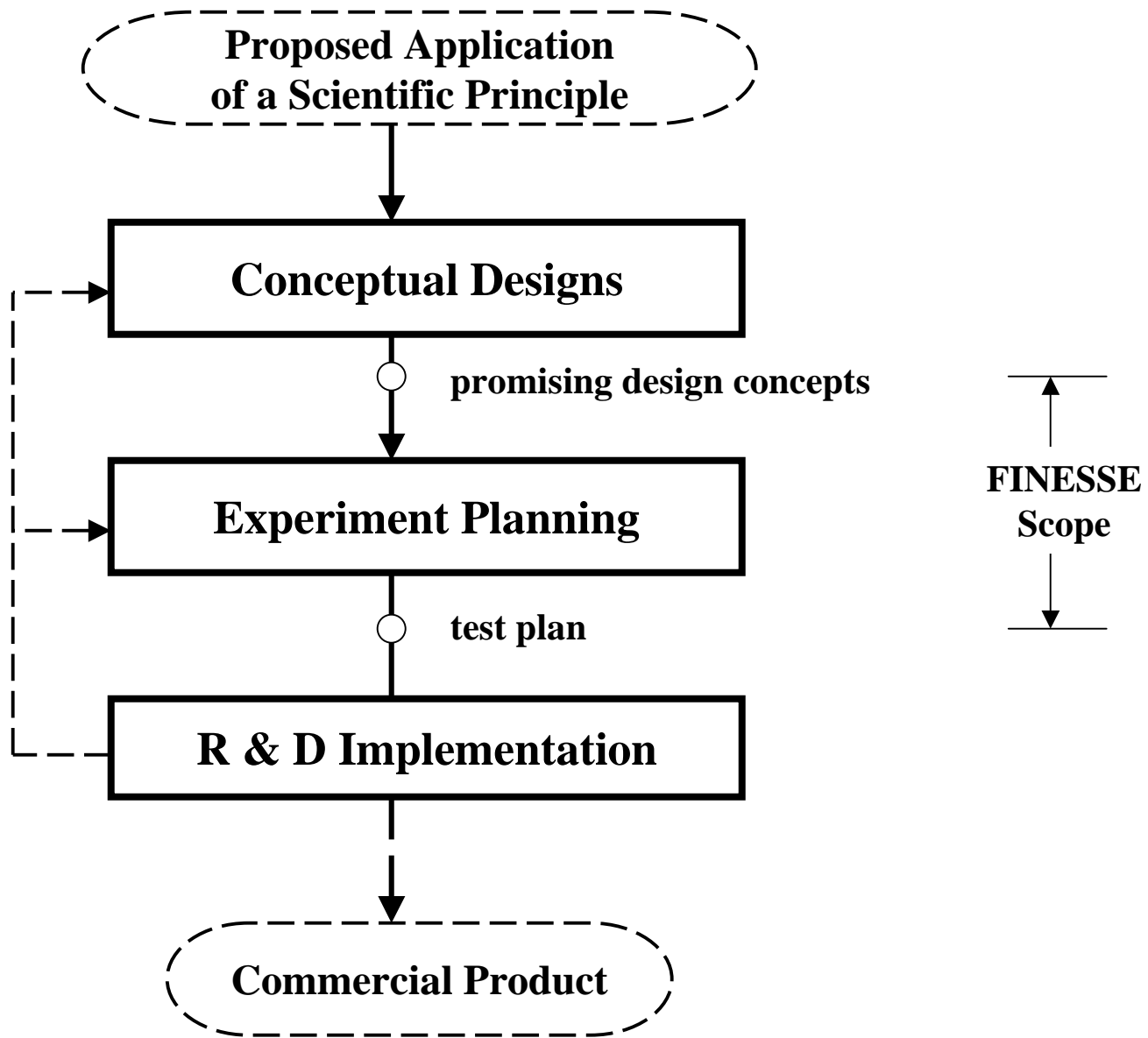


Figure 1-1. Role of Experiment Planning in technology development and illustration of the scope of FINESSE

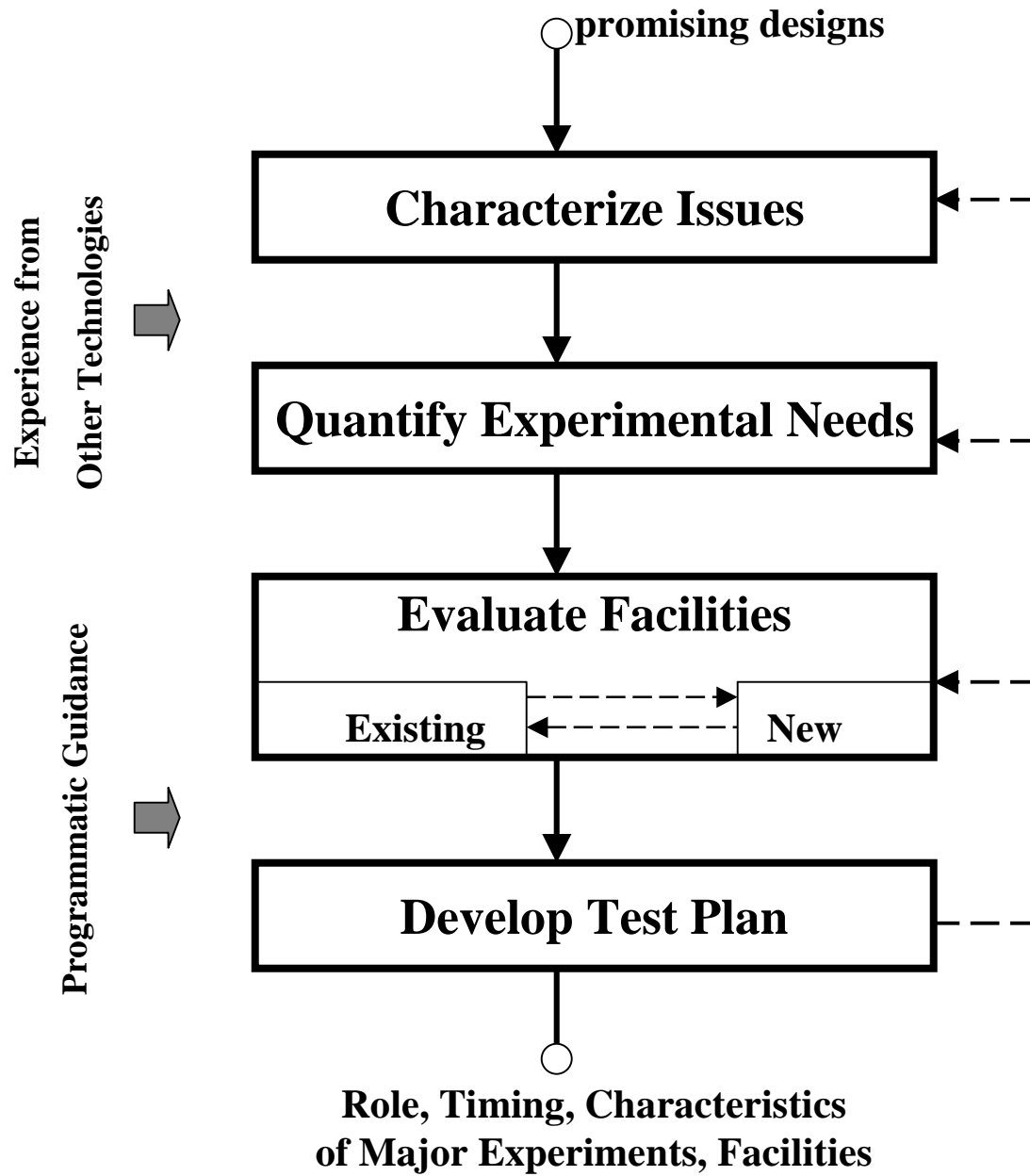


Figure 1-2. FINESSE process for Experiment Planning

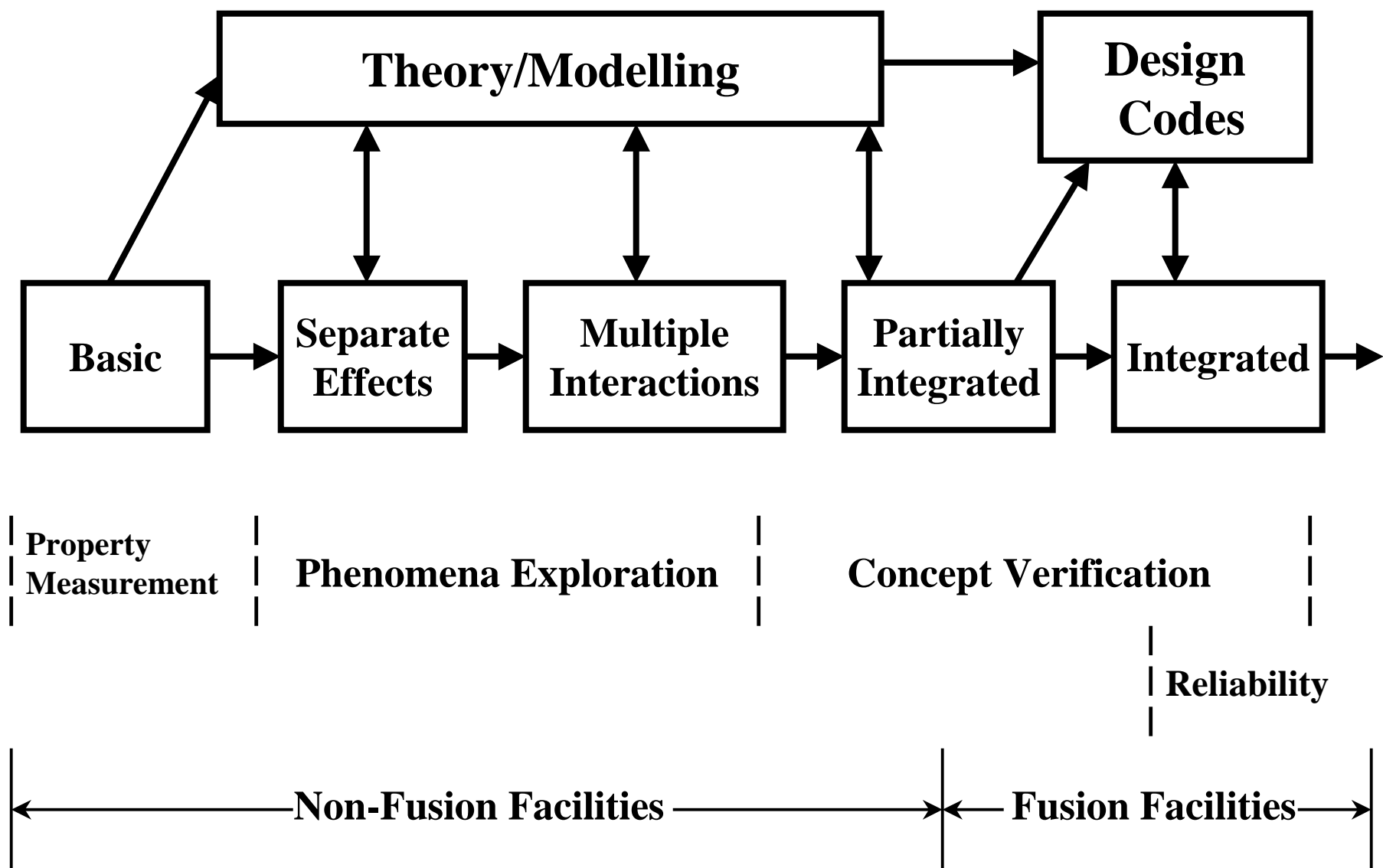
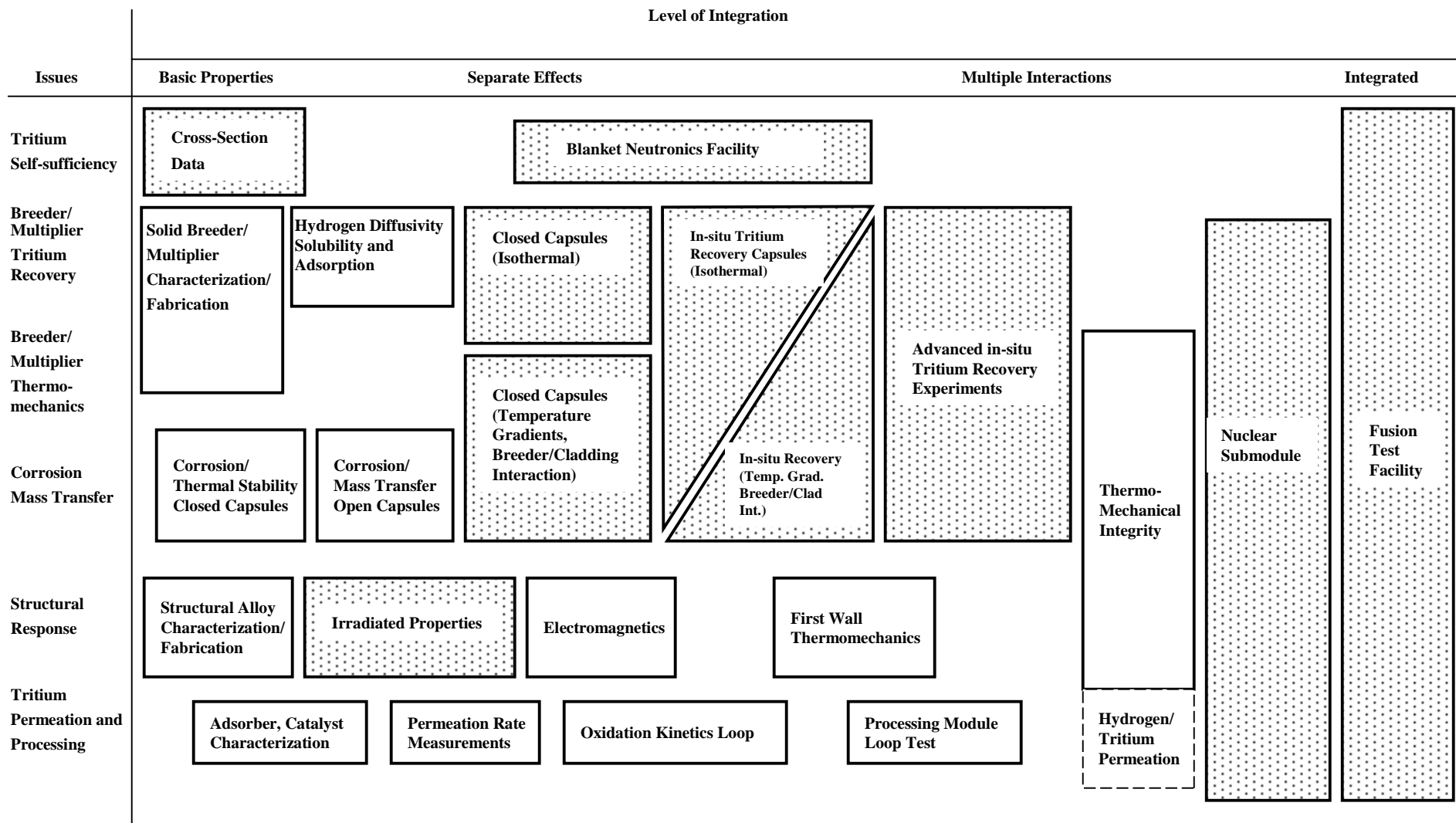


Figure 1-3. Types and role of experiments and facilities for Fusion Nuclear Technology



^a Some Experiments and Facilities Exist

Neutron Test

Figure 1-4. Types of experiments and facilities for solid breeder blankets^a

1987

1992

1997

2002

MAJOR TASKS

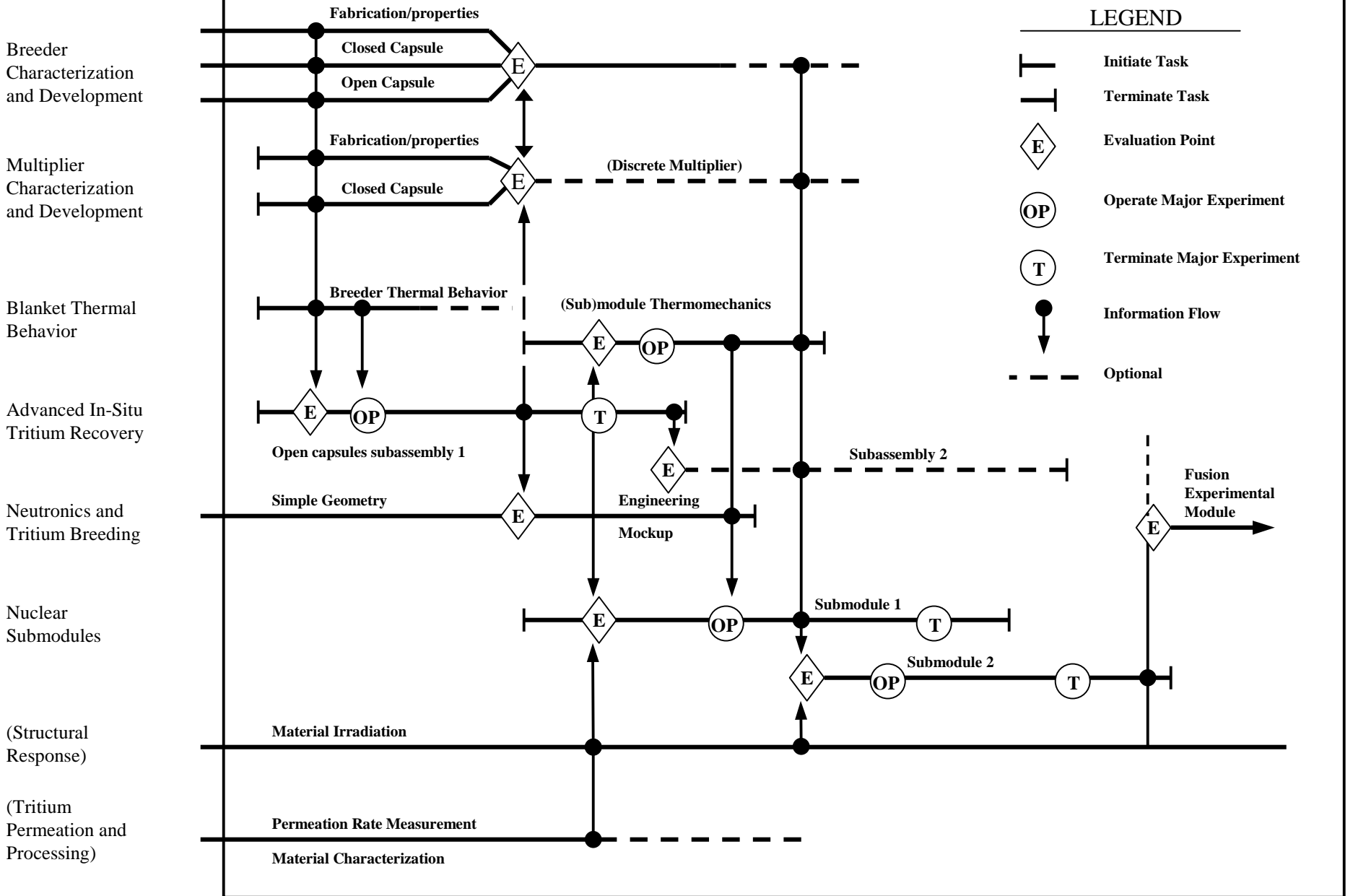
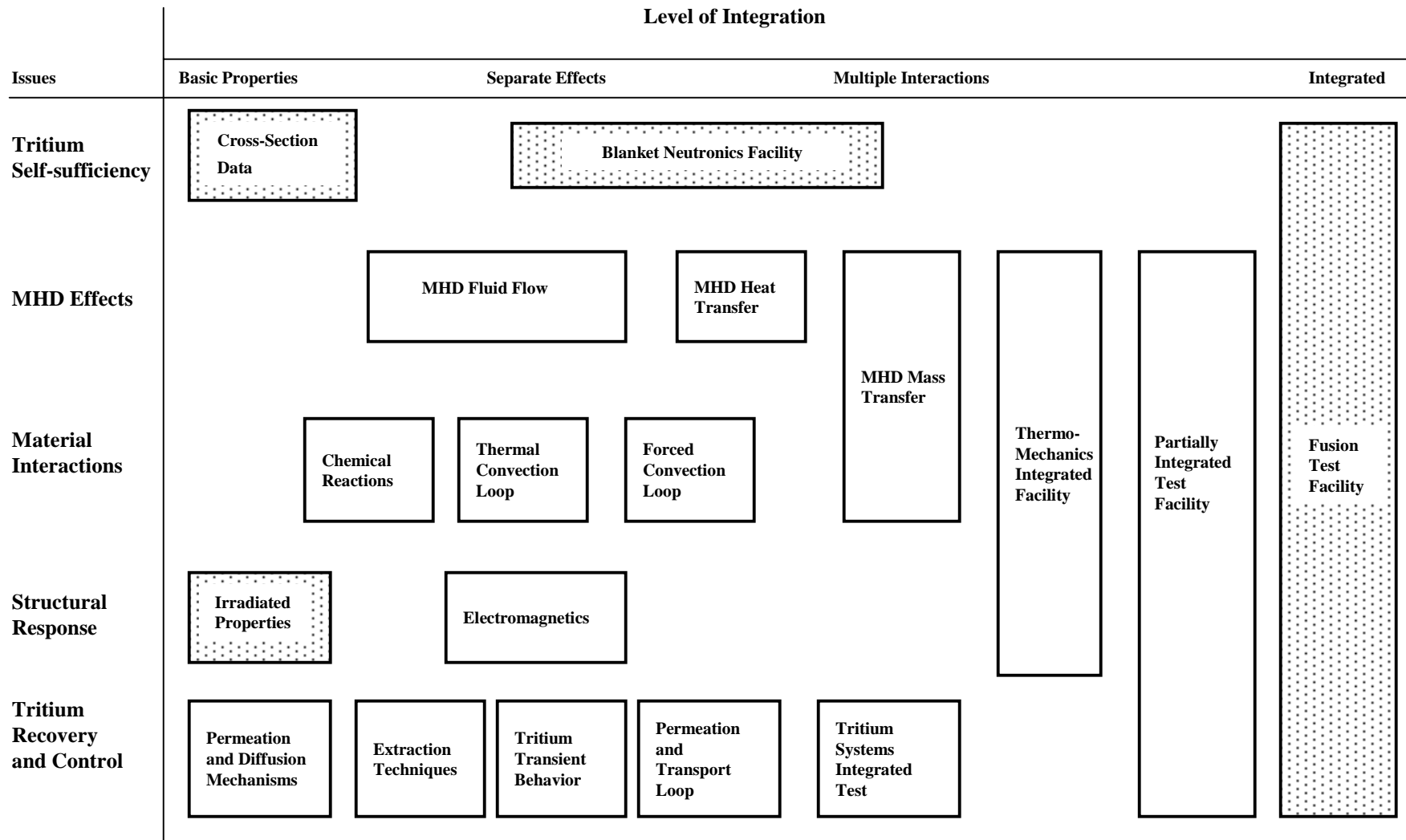


Figure 1-7. Test sequence for major solid breeder blanket tasks



^a Some experiments or facilities already exist

 Neutron test.

Figure 1-9. Types of experiments and facilities for liquid breeder blankets^a

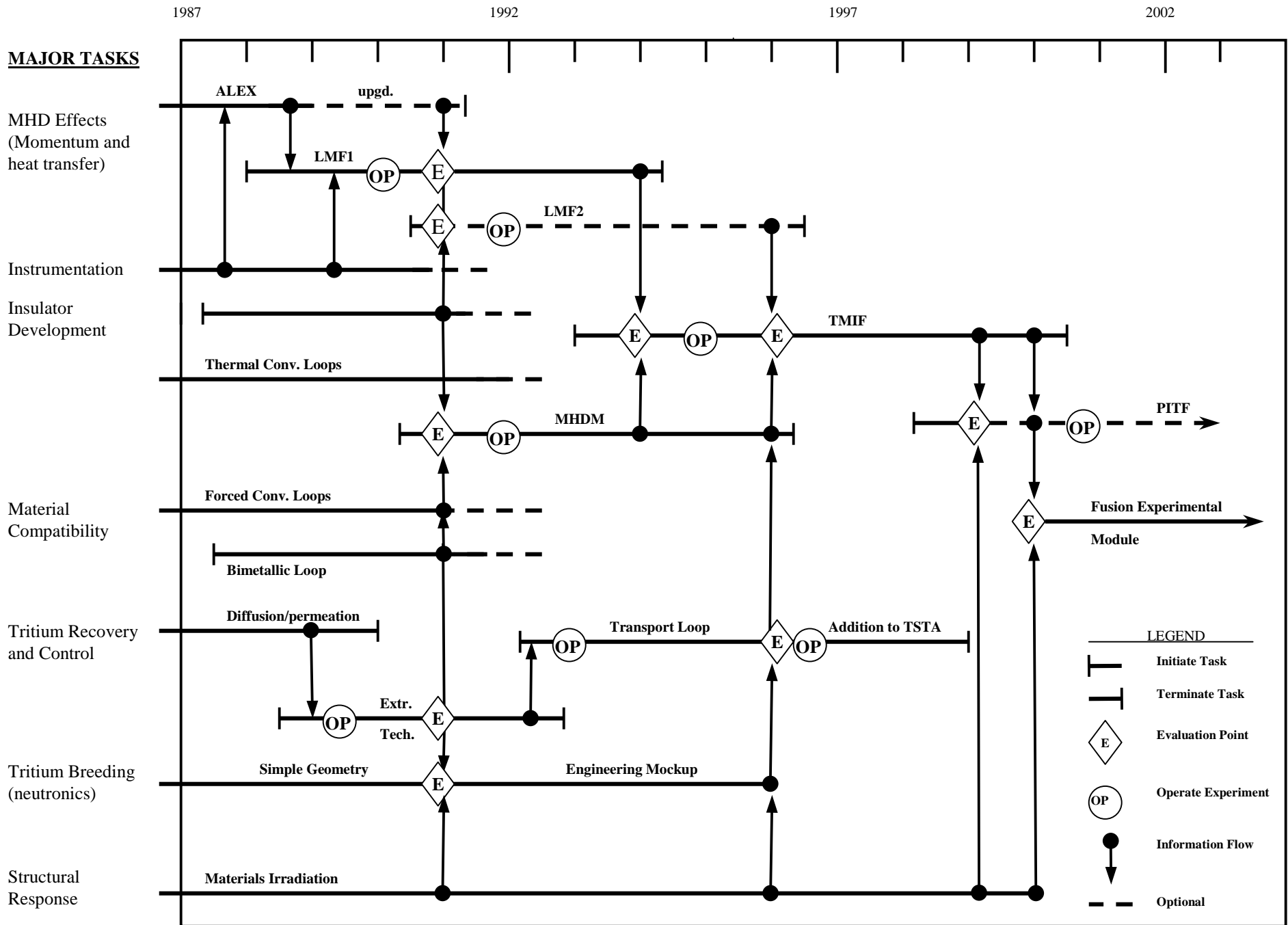


Figure 1-10. Test sequence for major liquid breeder blanket tasks