

Modelling hysteresis in vanadium dioxide oscillators

P. Maffezzoni[✉], L. Daniel, N. Shukla, S. Datta, A. Raychowdhury and V. Narayanan

An original circuit-level model of two-terminal vanadium dioxide electron devices exhibiting electronic hysteresis is presented. Such devices allow realisation of very compact relaxation nano-oscillators that potentially can be used in bio-inspired neurocomputing. The proposed model is exploited to determine the parameters, values that ensure stable periodic oscillations.

Introduction: Vanadium dioxide (VO₂) is a correlated electron material that exhibits abrupt insulator-to-metal (IMT) and metal-to-insulator (MIT) phase transitions under the application of a critical electric field (transitions may also be triggered by other stimuli, such as strain and thermal excitation) [1]. These phase transitions correspond to a large and abrupt change in electrical conductivity. Recently, it has been shown that connecting a VO₂ device with a resistor and a capacitor, of proper resistance and capacitance values, it is possible to fabricate very compact relaxation nano-oscillators [2]. The simple fabrication flow, the easy scalability with the possibility to achieve high packaging density, make VO₂ nano-oscillators promising candidates to integrate a large array of coupled oscillators for bio-inspired neurocomputing [2, 3].

However, electrical measurements reveal that the switching-like behaviour of a two-terminal VO₂ comes at the expense of a hysteresis with the IMT and the MIT transition being driven by two different critical electric field values. In this Letter, we provide, for the first time, a circuit-level model of the hysteresis mechanism which is a key to predicting and controlling the dynamics of relaxation oscillators built on VO₂ devices. We show how the proposed model, after being tuned with experimental data, allows us to predict the parameter values for which relaxation oscillation occurs.

Circuit-level model of VO₂ device: The *I-V* current–voltage characteristic of a two-terminal VO₂ exhibits a typical hysteretic behaviour [2] (see Fig. 2). For relatively low voltages, the device has an insulator-like behaviour with $I = V/R_{ins}$, where R_{ins} is the resistance in the insulator state. When the electric voltage approaches the critical value V_H , a IMT occurs and the current I abruptly increases. This transition is abrupt but not instantaneous with a finite intrinsic electronic switching time [4]. In the metallic state, we have that $I = V/R_{met}$ with a much smaller resistance $R_{met} \ll R_{ins}$. In this condition, to bring the device back to the insulator state, the voltage should be reduced under the lower value $V_L < V_H$ at which the inverse MIT occurs.

To model this hysteretic behaviour, we adopt the ‘driving-point equivalent’ circuit [5] with abrupt (but not instantaneous) transitions described in Fig. 1. In the model, the ‘state’ (i.e. insulator or metal) of the device is decided by a voltage comparator (CMP) and it is stored into the intrinsic capacitor C_o . The value of the product $\tau_o = R_o \times C_o$ is selected so as to reproduce the time constant of the phase transition detected in laboratory measurements. The CMP output voltage V_o , whose value ranges from 0 to 1 V, is transferred by a controlled voltage source at the CMP input terminal +, where it selects the value of V^+ between the two critical levels V_L and V_H . The device current is given by the current $I = I_f = G_f V_f$ that flows into the feedback resistor R_f shown in Fig. 1. The electrical conductance of such a resistor is controlled by the state voltage V_c as follows

$$G_f = G_{min}(1 - V_c) + G_{max} V_c \quad (1)$$

where $G_{min} = 1/R_{ins}$ and $G_{max} = 1/R_{met} \gg G_{min}$ are the device conductance in the insulator and metal state, respectively. In the insulator state, the CMP output is $V_o = 1$ V and $V_c = 0$ (at the DC regime). In this state, $V^+ = V_H$ and $G_f = G_{min}$. Hence, if V is gradually increased till to approach V_H , it initiates a IMT. After the device has completed its transition to the metallic state, the CMP output becomes $V_o = 0$ V and $V_c = 1$. In this state, $G_f = G_{max}$ and $V^+ = V_L$. Thus, it is only when V is reduced below $V^+ = V_L$ that a reverse MIT can occur completing the cycle of the hysteresis characteristic. Fig. 2 shows the *I-V* characteristics obtained by simulating the circuit-level model in Fig. 1 for a 2 μ m-length VO₂ device. The parameters of the model were extracted by fitting the experimental curve of the device as follows: $R_{ins} = 50$ k Ω , $R_{met} = 1$ k Ω , $V_L = 0.5$ V, $V_H = 5.9$ V and $\tau_o = 100$ ns. The

device is connected in series to a DC voltage source, sweeping from 0 to 7 V, and to a resistance R_s . Fig. 2 shows the *I-V* curves for the two cases: (i) zeros series resistance $R_s = 0$ and (ii) finite series resistance $R_s = 200$ Ω . Simulations correctly predict the negative-slope shape of the *I-V* curve in the presence of a finite resistance R_s [2]. We conclude that, after being tuned with the experimental data of a given VO₂ device, the proposed circuit-level model is able to realistically reproduce its electronic behaviour seen at the external terminals.

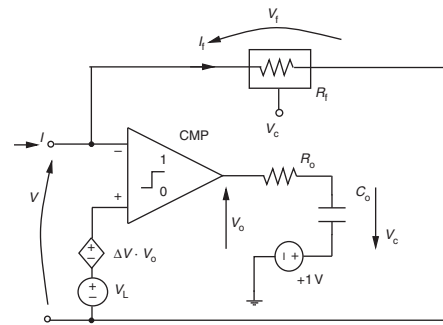


Fig. 1 Device model

$\Delta V = V_H - V_L$ gives width of voltage hysteresis

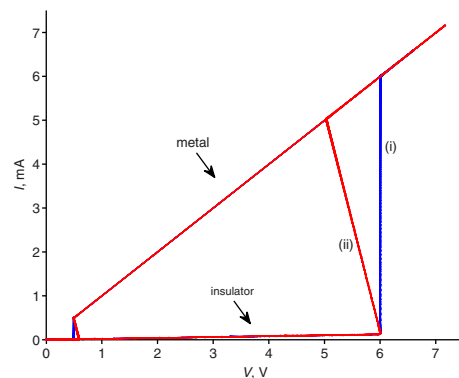


Fig. 2 Simulated VO₂ characteristics for cases: (i) $R_s = 0$ Ω and (ii) $R_s = 200$ Ω

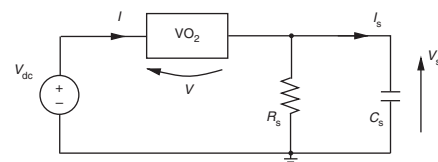


Fig. 3 Circuit of relaxation oscillator

Relaxation oscillation: The circuit of the relaxation oscillator can be obtained by connecting the VO₂ device to an external resistor R_s and capacitor C_s , as shown in Fig. 3. The circuit is supplied by a DC voltage source V_{dc} . We performed extensive electrical simulations of the circuit in Fig. 3, with the VO₂ device model in Fig. 1, to investigate the effect of electrical parameters. Simulations showed that a minimum supply voltage V_{dc} value is needed to obtain oscillations. Furthermore, they revealed that, for a given voltage supply, the occurrence of relaxation oscillations critically depends on the value of the external series resistance R_s ; oscillations only arise when R_s is chosen within a very precise interval of values. With the VO₂ device in our example and with $V_{dc} = 14$ V, stable oscillations occur for 30 k $\Omega < R_s < 55$ k Ω . Finally, the value of the external capacitance C_s affects the frequency of the oscillation. This behaviour was fully confirmed by laboratory measurements. Fig. 4 reports the simulated and the measured $V_s(t)$ waveforms for a relaxation oscillator with electrical parameters $V_{dc} = 14$ V, $C_s = 300$ pF and $R_s = 47$ k Ω (i.e. within the numerically-predicted oscillation interval); simulations and measurements match with excellent accuracy and yield a relaxation oscillation at ≈ 68 kHz.

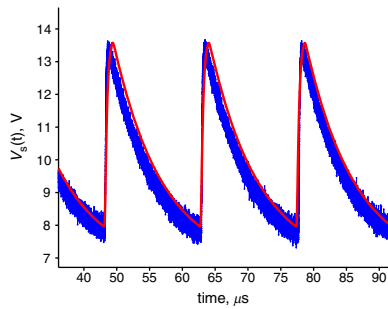


Fig. 4 Simulated (solid line) and measured (dotted line) $V_g(t)$ waveforms for $R_s = 47 \text{ k}\Omega$

Conclusion: In this Letter, the electrically induced hysteresis mechanism in VO_2 devices has been modelled for the first time with a driving-point equivalent circuit. The circuit can incorporate the experimentally characterised critical voltages, variable device resistances and switching time of the hysteretic response. We have shown how the proposed model enables realistic electrical simulations of oscillators built on the hysteretic device and provides guidance on how to achieve a robust design. It is believed that the circuit-level model will play a fundamental role in designing large arrays of VO_2 oscillators.

© The Institution of Engineering and Technology 2015
 19 January 2015
 doi: 10.1049/el.2015.0025

One or more of the Figures in this Letter are available in colour online.

P. Maffezzoni (Politecnico di Milano, Milan, Italy)

✉ E-mail: pmaffezz@elet.polimi.it

L. Daniel (Massachusetts Institute of Technology, Cambridge, MA, USA)

N. Shukla, S. Datta and V. Narayanan (Pennsylvania State University, University Park, PA, USA)

A. Raychowdhury (Georgia Institute of Technology, Atlanta, GA, USA)

References

- 1 Sugimoto, N., Onoda, S., and Nagaosa, N.: 'Field-induced metal-insulator transition and switching phenomenon in correlated insulators', *Phys. Rev. B*, 2008, **78**, (15), p. 155104
- 2 Datta, S., Shukla, N., Cotter, M., Parihar, A., and Raychowdhury, A.: 'Neuro inspired computing with coupled relaxation oscillators'. Design Automation Conf. San Francisco, CA, USA, June 2014, pp. 1–6
- 3 Shukla, N., Parihar, A., Freeman, E., *et al.*: 'Synchronized charge oscillations in correlated electron systems'. *Nature, Sci. Rep.*, 2014, **4**, doi 10.1038/srep04964
- 4 Kar, A., Shukla, N., Freeman, E., *et al.*: 'Intrinsic electronic switching time in ultrathin epitaxial vanadium dioxide thin film', *Appl. Phys. Lett.*, 2013, **102**, (7), p. 72106
- 5 Hu, C.J.: 'Self-sustained oscillation in an RH-C or RH-L circuit containing a hysteresis resistor RH', *IEEE Trans. Circuits Syst.*, 1986, **33**, (6), pp. 636–641