

Figure 1: Feistel-Type Transformation (FTT)

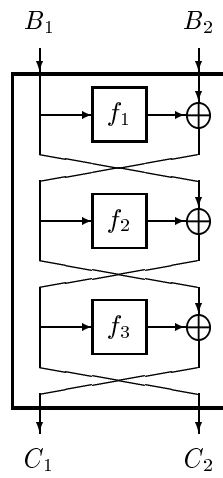


Figure 2: Feistel-Type Transformation (FTT) Lemma

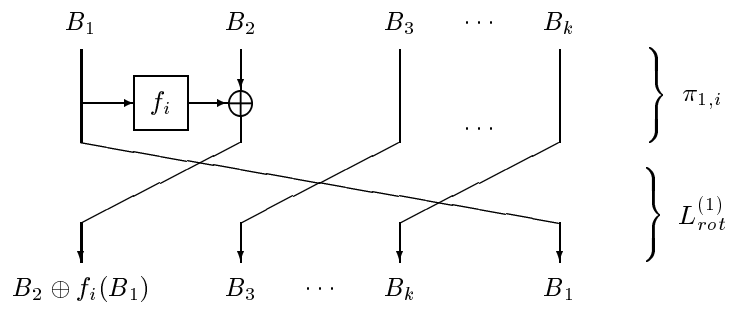


Figure 3: Type-1 Transformation

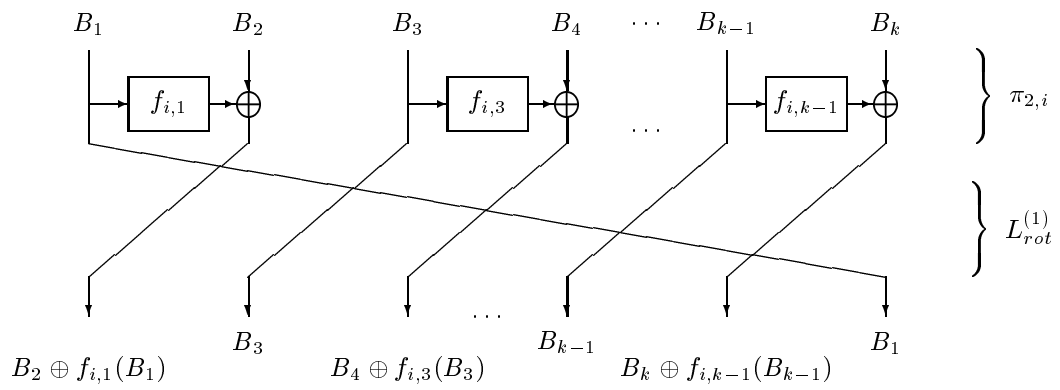


Figure 4: Type-2 Transformation

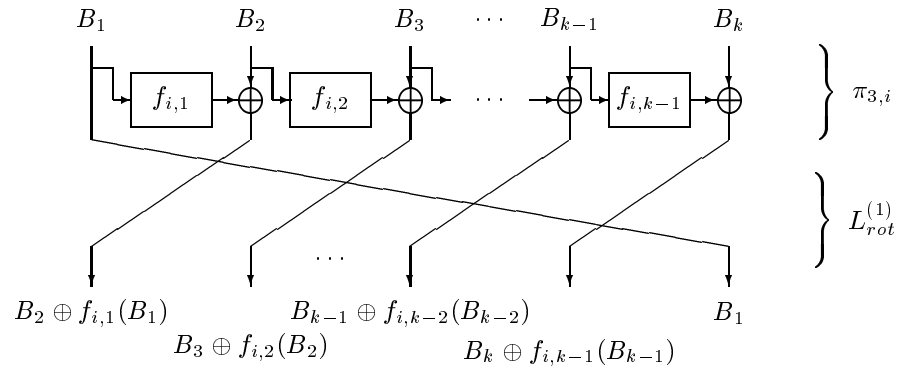


Figure 5: Type-3 Transformation

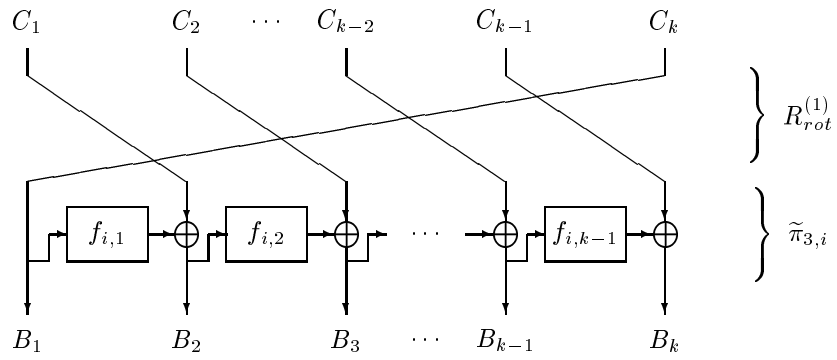


Figure 6: Inverse of Type-3 Transformation

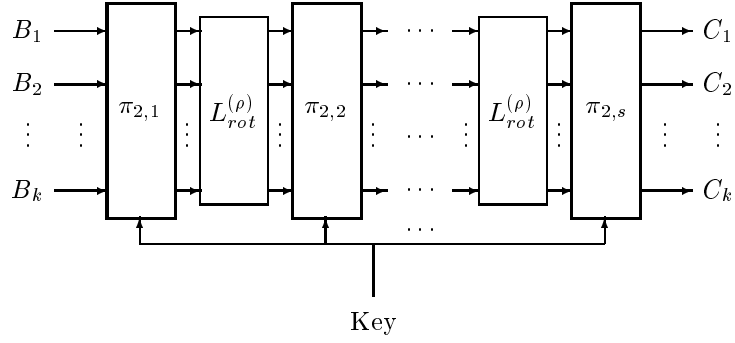


Figure 7: Enciphering Algorithm for PSBC

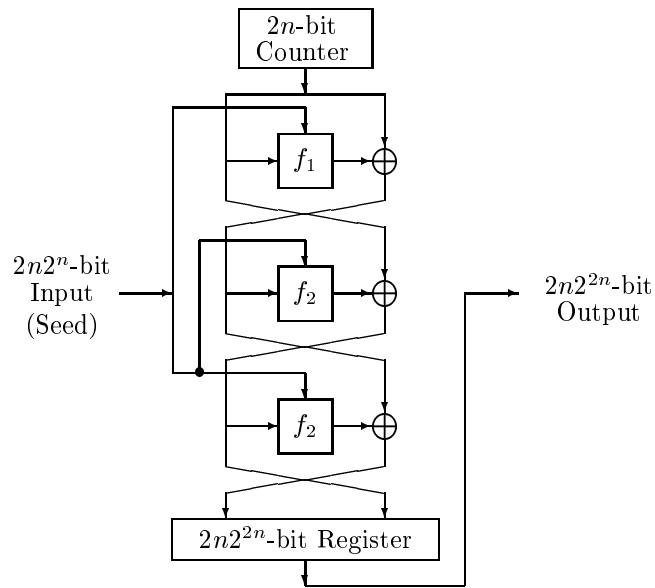


Figure 8: Algorithm  $G_n$  for Computing  $S_{2n^{2^n}}$

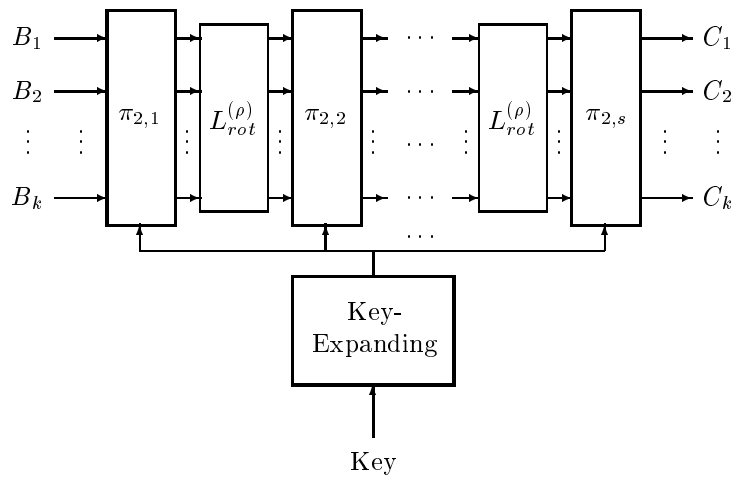


Figure 9: Enciphering Algorithm for PSBC with Key-Expanding