

False Bottoms

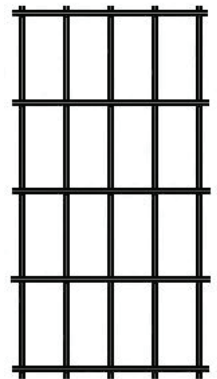
You will be making a 2 piece false bottom for your fair cages. We make them in 2 pieces so they fit through the cage door, and this reduces sagging.

False bottoms keep your rabbit up and off of the wood floor and prevent them from getting their coat dirty with dust, ruine and/or feces.

You will need:

1" x .5" 14 gauge welded wire (see diagram at right)

Wire cutters



Instructions

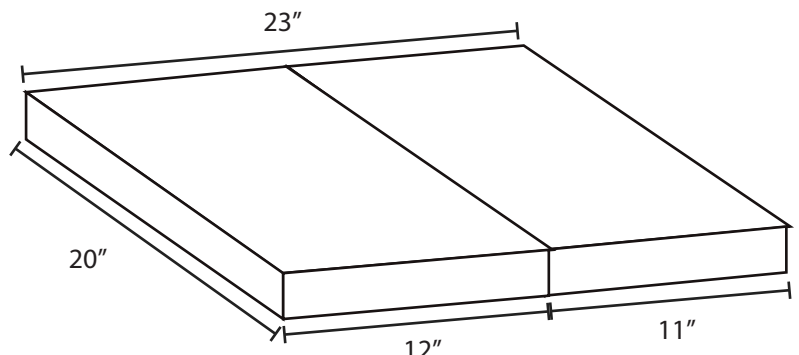
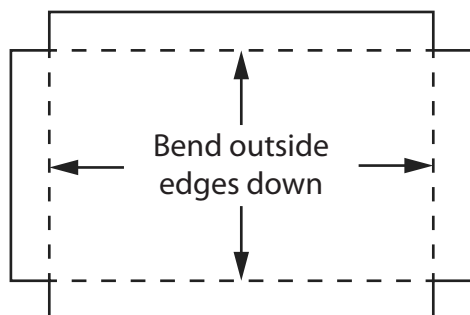
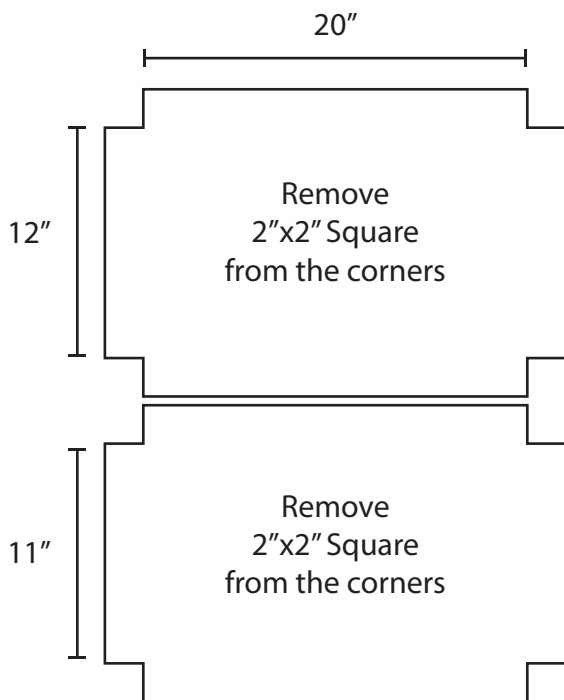
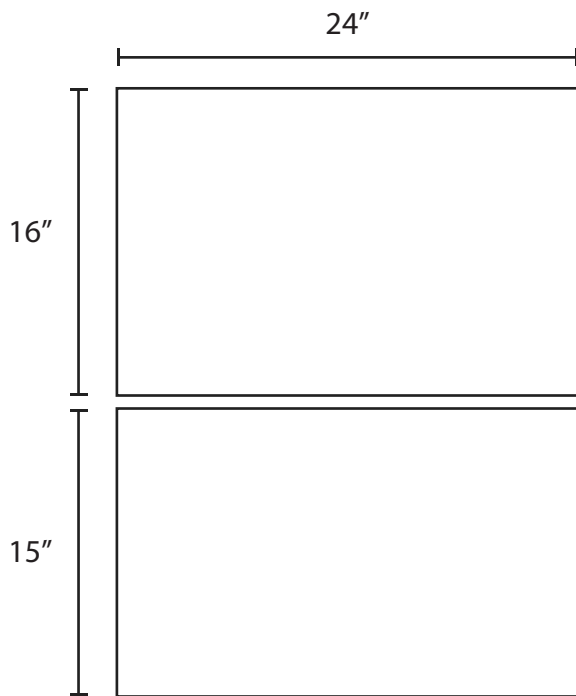
Step 1: Cut out 1 15 x 24 rectangle, and 1 16 x 24 rectangle

Step 2: Cut out 2" x 2" squares from all of the corners

Step 3: bend down the 4 outside edges on both pieces. (bending them over a block of wood helps)

Step 4: Smile. You've just finished your false bottoms!

NOTE: Do not secure your two pieces together. We want to leave these separate so they fit through the door!



Finished False Bottoms