

4

3

2

1

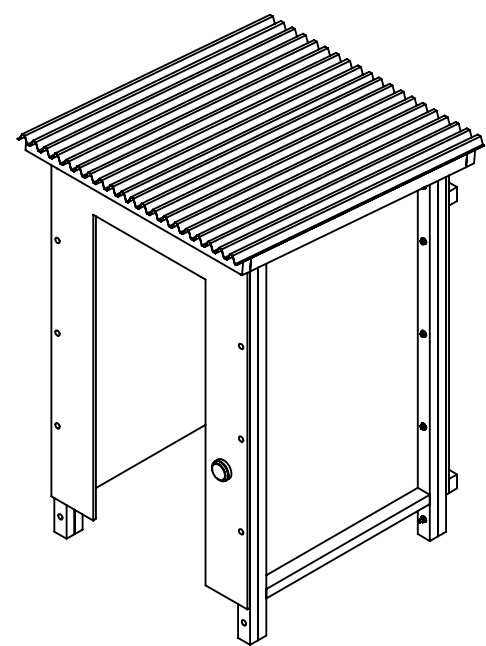
D

D

\*\* Basic Booth Dimensions \*\*

C

C

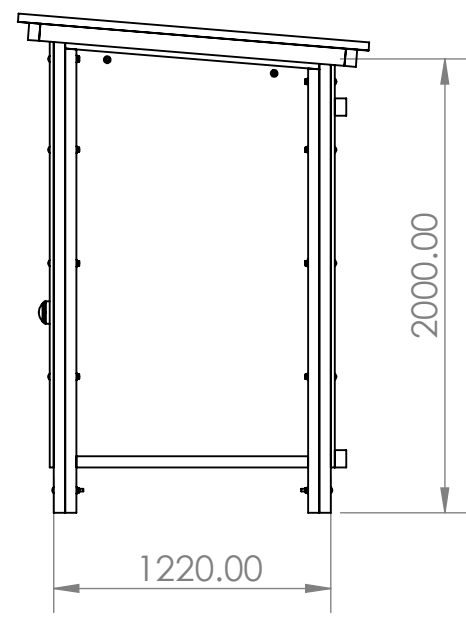
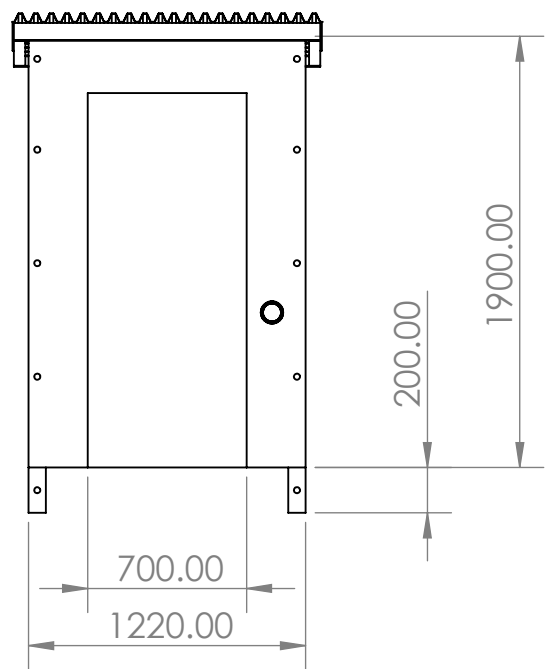


B

B

A

A

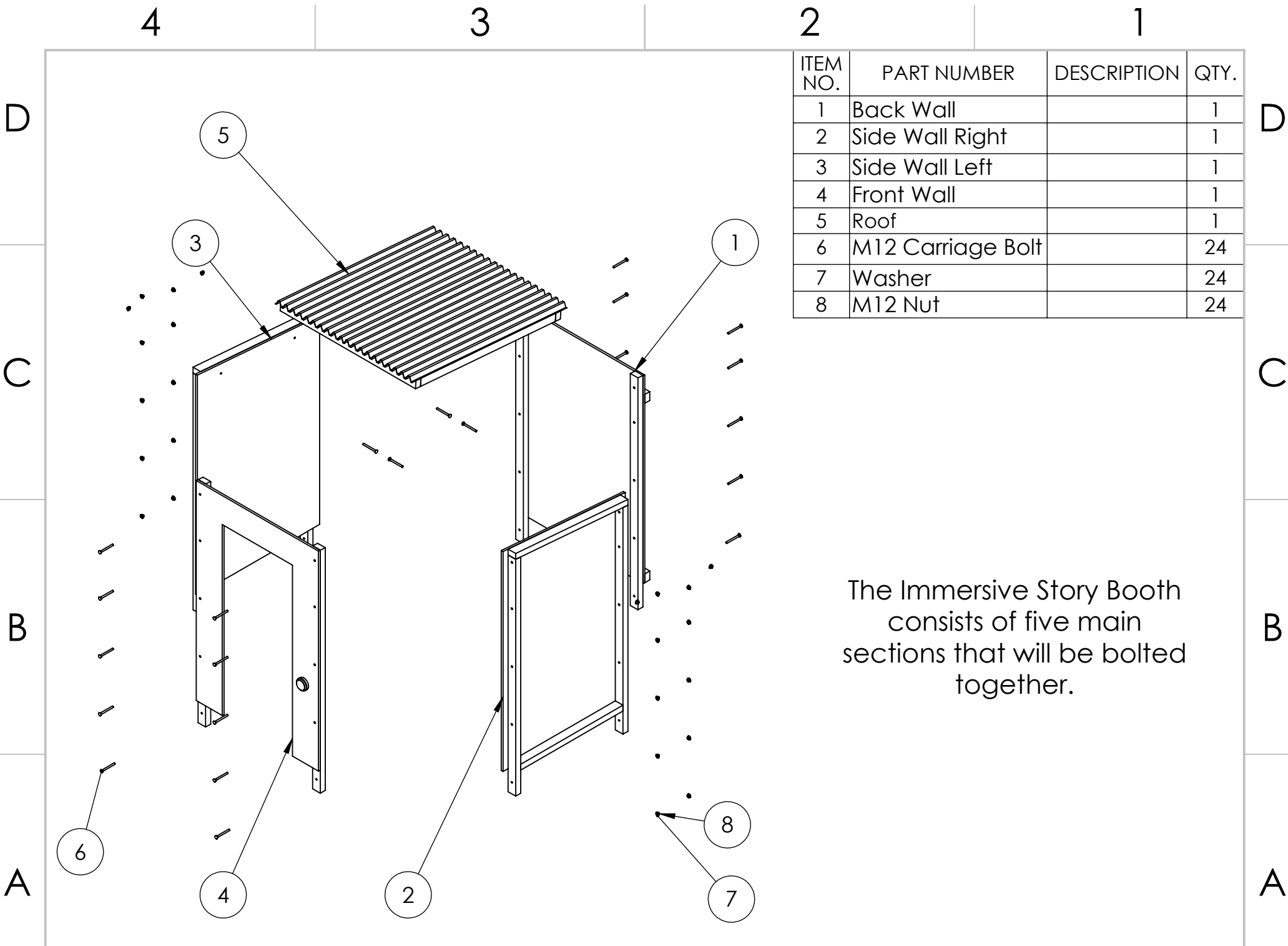


4

3

2

1



ITEM NO.	PART NUMBER	DESCRIPTION	QTY.
1		Back Wall	1
2		Side Wall Right	1
3		Side Wall Left	1
4		Front Wall	1
5		Roof	1
6		M12 Carriage Bolt	24
7		Washer	24
8		M12 Nut	24

The Immersive Story Booth consists of five main sections that will be bolted together.

4

3

2

1

D

D

C

C

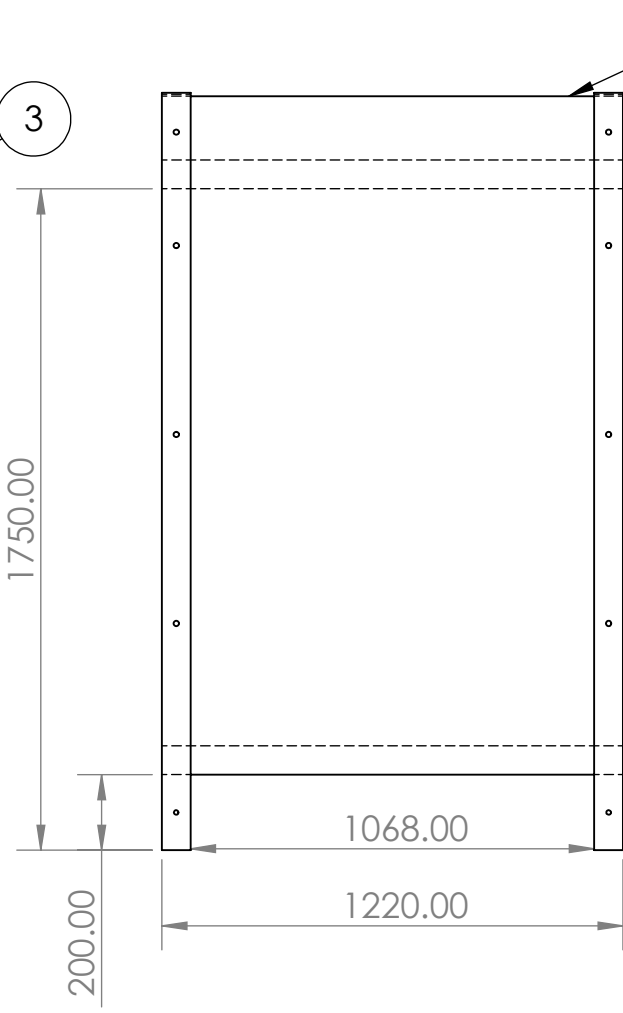
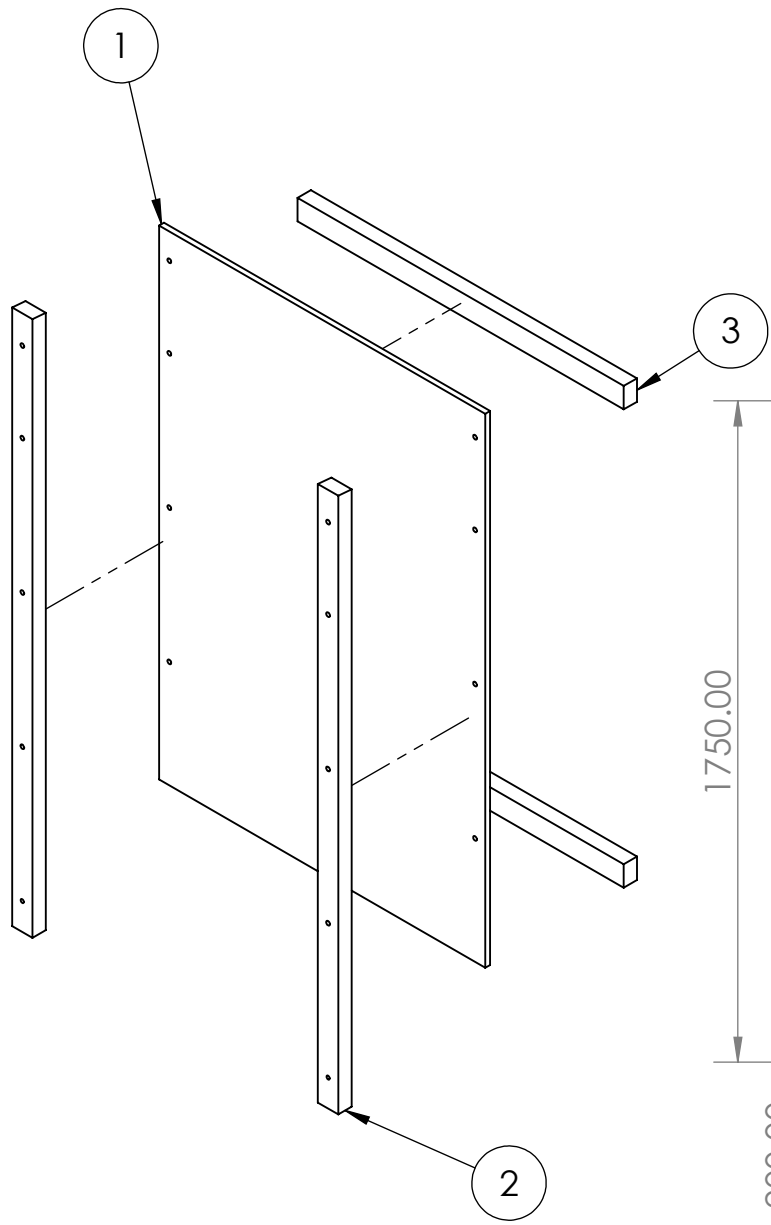
B

B

A

A

ITEM NO.	PART NUMBER	DESCRIPTION	QTY.
1	Pine Exterior Ply Rear		1
2	Structural Pine Rear Vertical Runner	38mm x 50mm	2
3	Structural Pine Rear Horizontal Runner	38mm x 50mm	2



Part: Rear Wall

Notes:

4

3

2

1

4

3

2

1

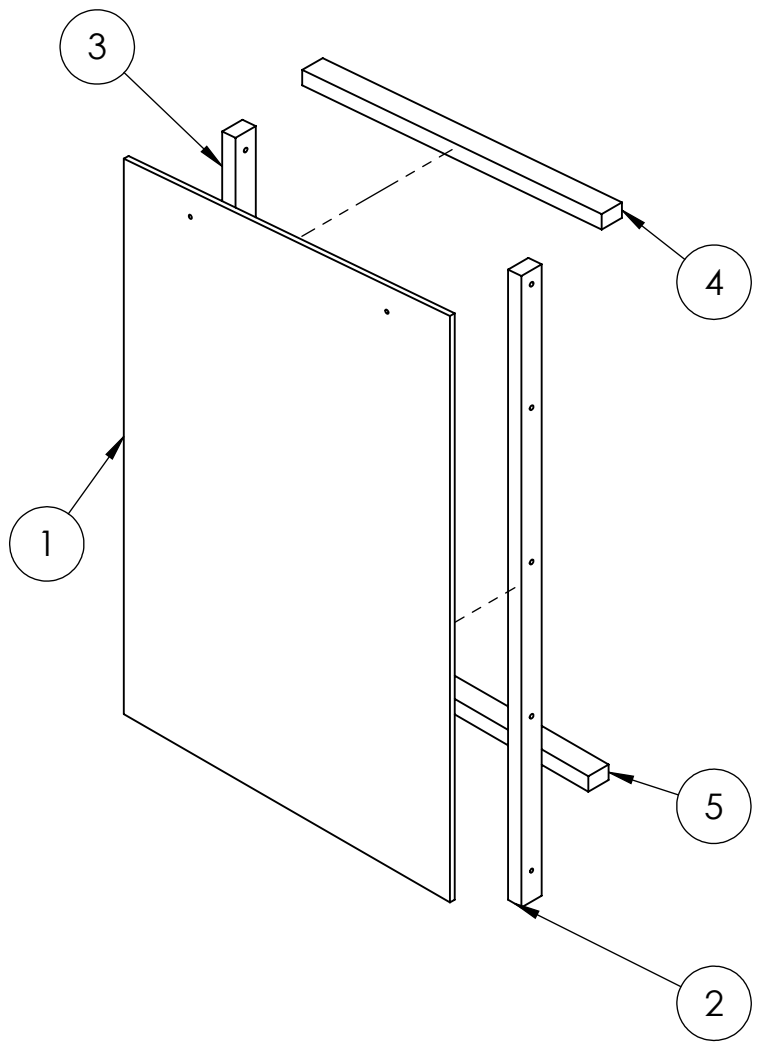
D

D

ITEM NO.	PART	DESCRIPTION	QTY.
1	Pine Exterior Ply Side	Cut from 18mm, 1220mm wide x 2440mm long Ply	1
2	Structural Pine Side Vertical Front Runner	76mm x 50mm	1
3	Structural Pine Side Vertical Rear Runner	76mm x 50mm	1
4	Structural Pine Side Horizontal Top Runner	76mm x 50mm	1
5	Structural Pine Side Horizontal Bottom Runner	76mm x 50mm	1

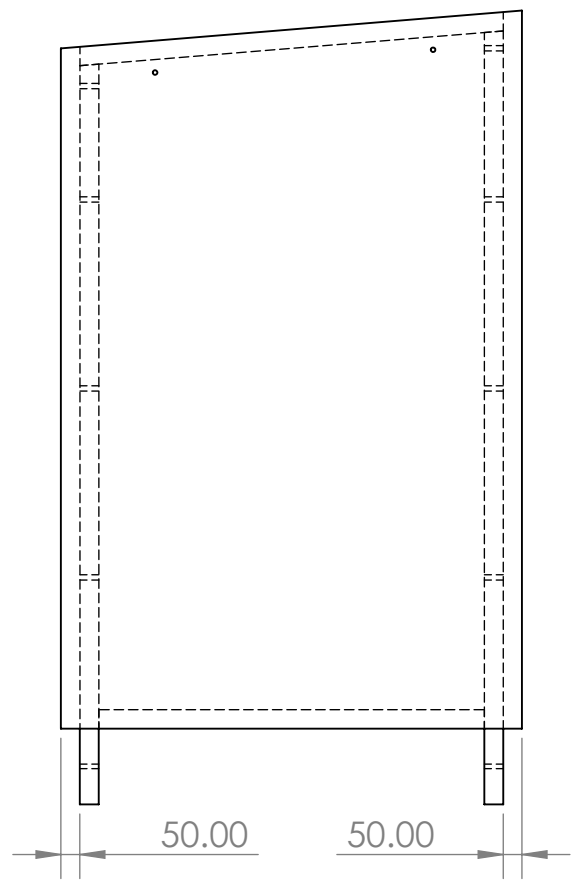
C

C



B

B



A

A

Part: Right Side Wall

Notes:

4

3

2

1

4

3

2

1

ITEM NO.	PART	DESCRIPTION	QTY.
1	Structural Pine Side Vertical Front Runner	76mm x 50mm	1
2	Structural Pine Side Vertical Rear Runner	76mm x 50mm	1
3	Structural Pine Side Horizontal Top Runner	76mm x 50mm	1
4	Structural Pine Side Horizontal Bottom Runner	76mm x 50mm	1
5	Pine Exterior Ply Side	Cut from 18mm, 1220mm wide x 2440mm long Ply	1

D

D

C

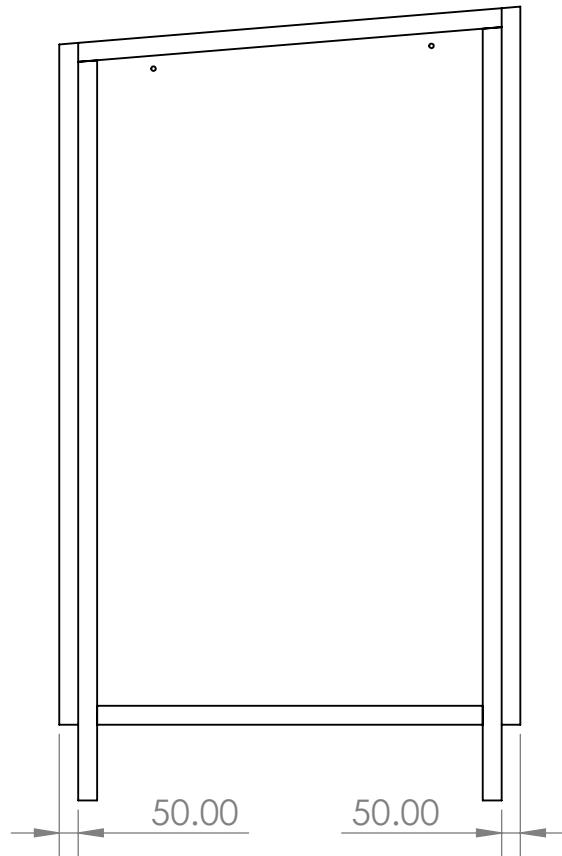
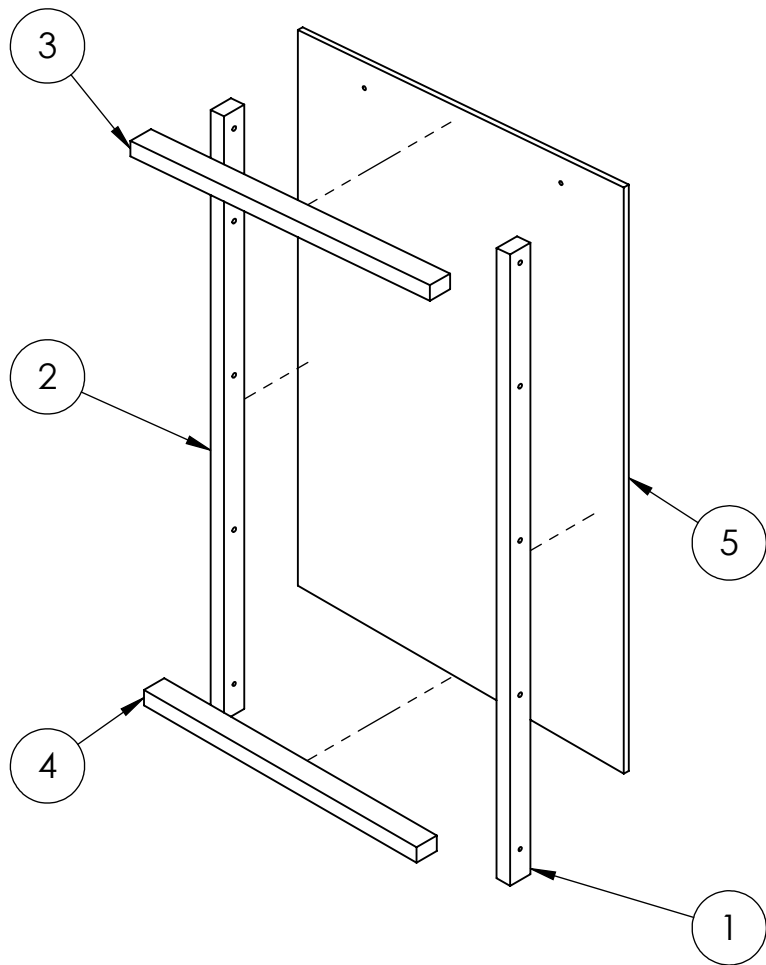
C

B

B

A

A



Part: Left Side Wall

Notes:

4

3

2

1

4

3

2

1

ITEM NO.	PART NUMBER	DESCRIPTION	QTY.
1	Pine Exterior Ply Front	Cut from 18mm, 1220mm wide x 2440mm long Ply	1
2	Structural Pine Front Runner	76mm x 50mm	2
3	Audio Button	Install at a low hight	1

D

D

C

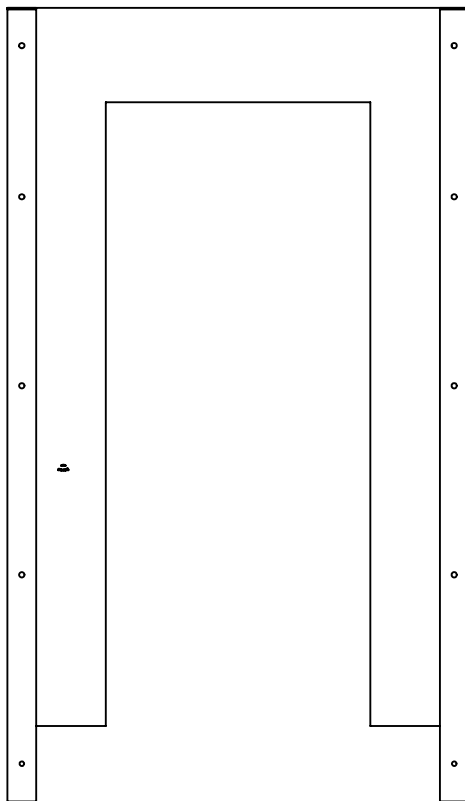
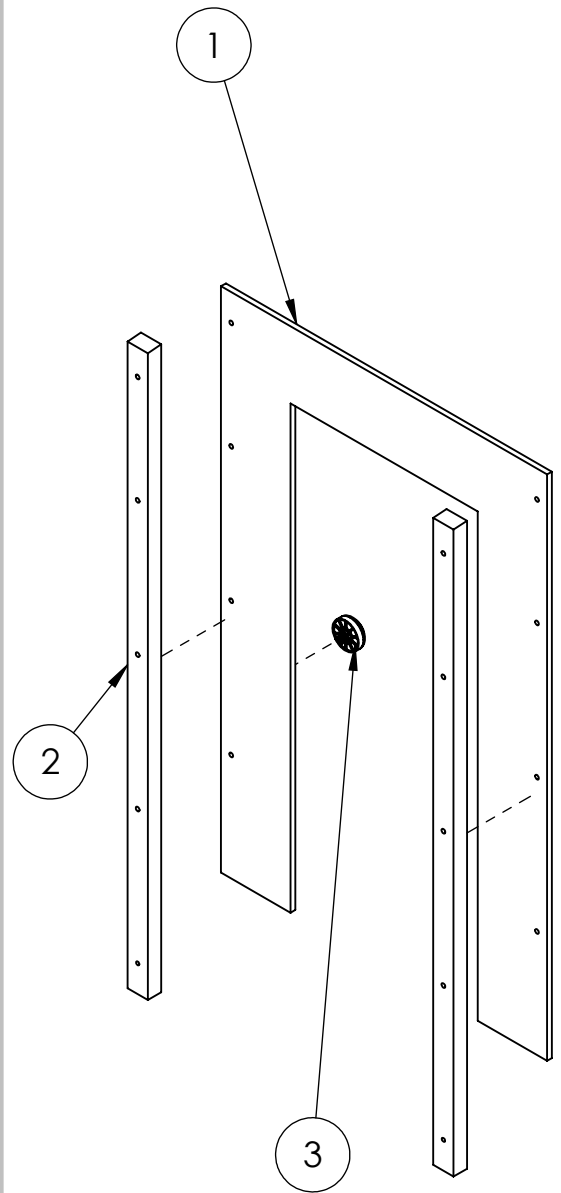
C

B

B

A

A



Part: Front Wall

Notes:

4

3

2

1

4

3

2

1

D

D

C

C

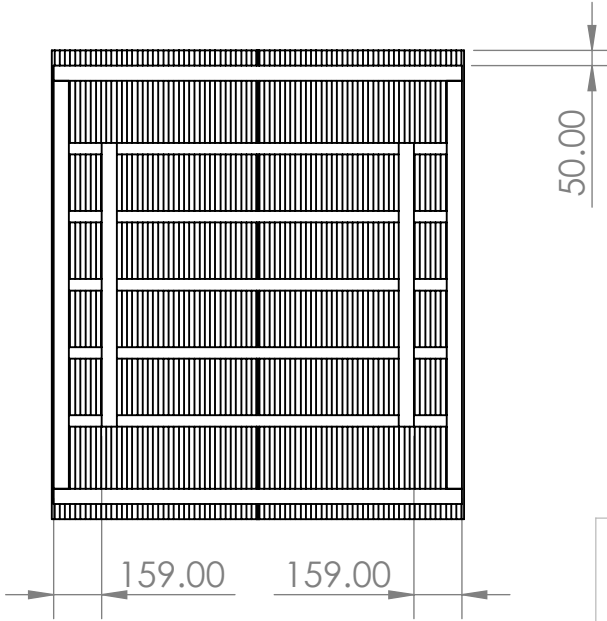
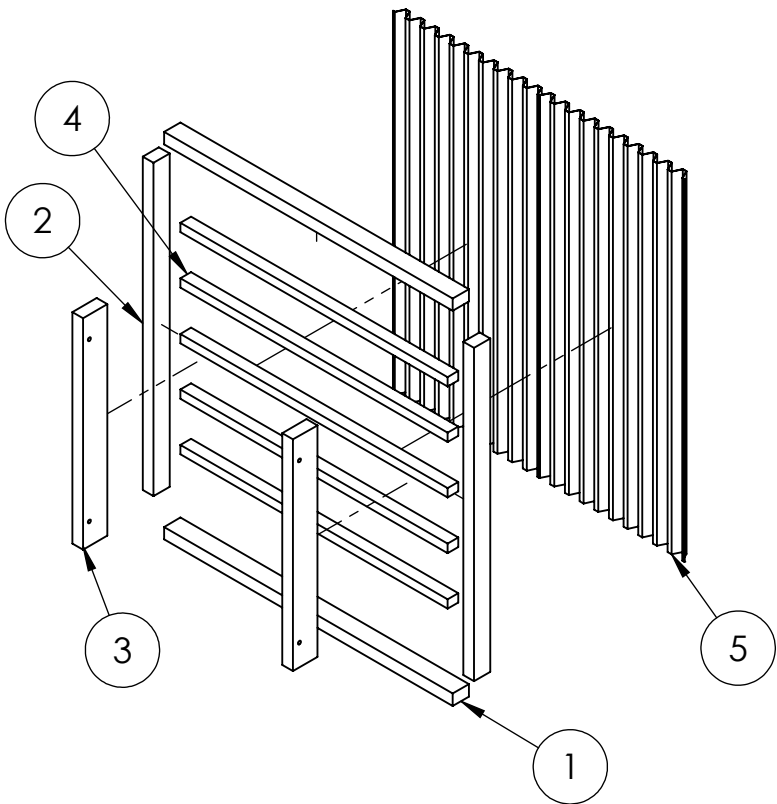
B

B

A

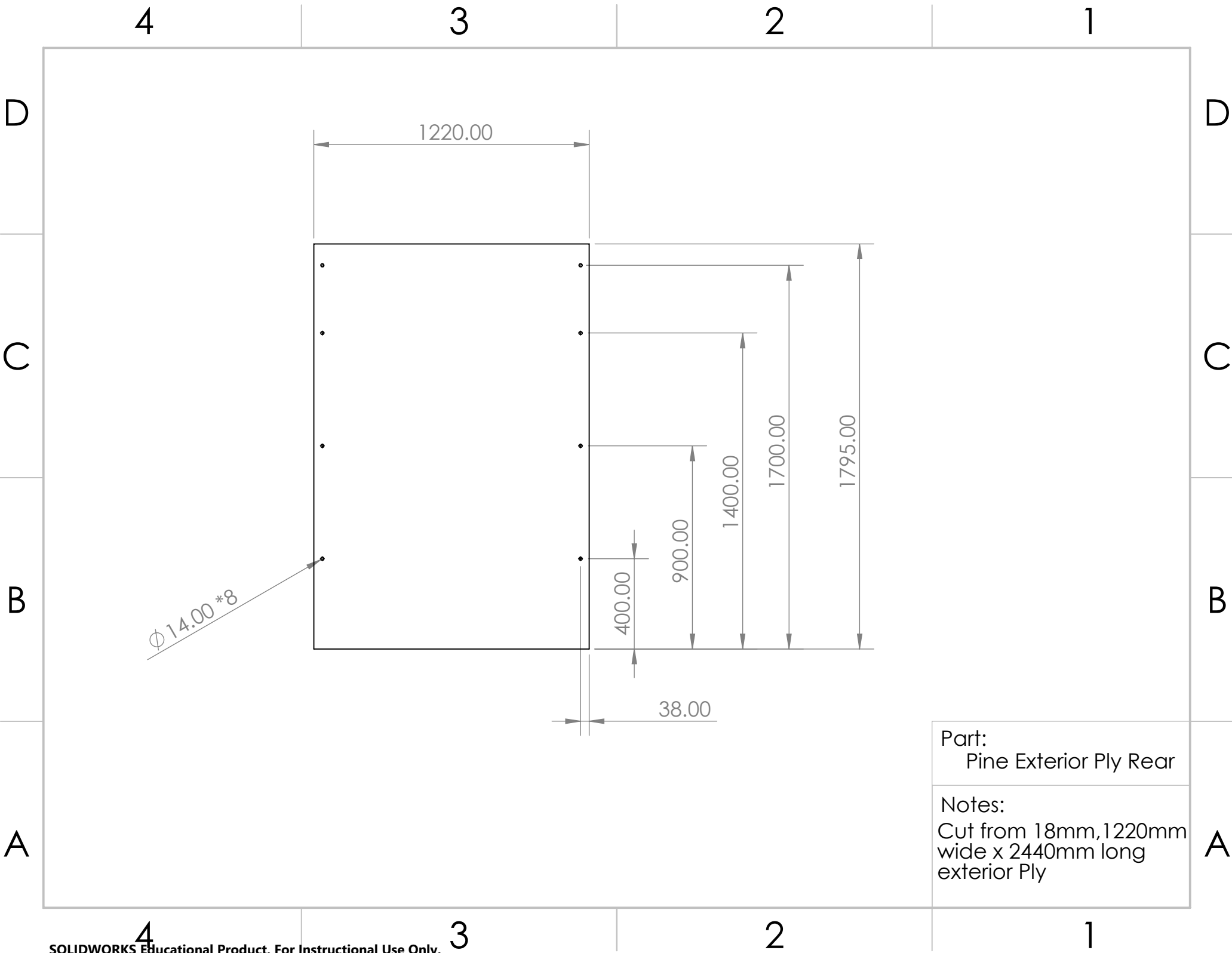
A

ITEM NO.	PART NUMBER	DESCRIPTION	QTY.
1	Structural Pine Roof Front Beam	76mm x 50mm	2
2	Structural Pine Roof Side Beam	76mm x 50mm	2
3	Structural Pine Roof attachment Runner	114mm x 50mm	2
4	Structural Pine Roof Runner	38mm x 50mm	5
5	Sheetmetal Roof	corrugated galvanized steel Z150 3.6m x 0.47mm	2



Part:  
**Roof**

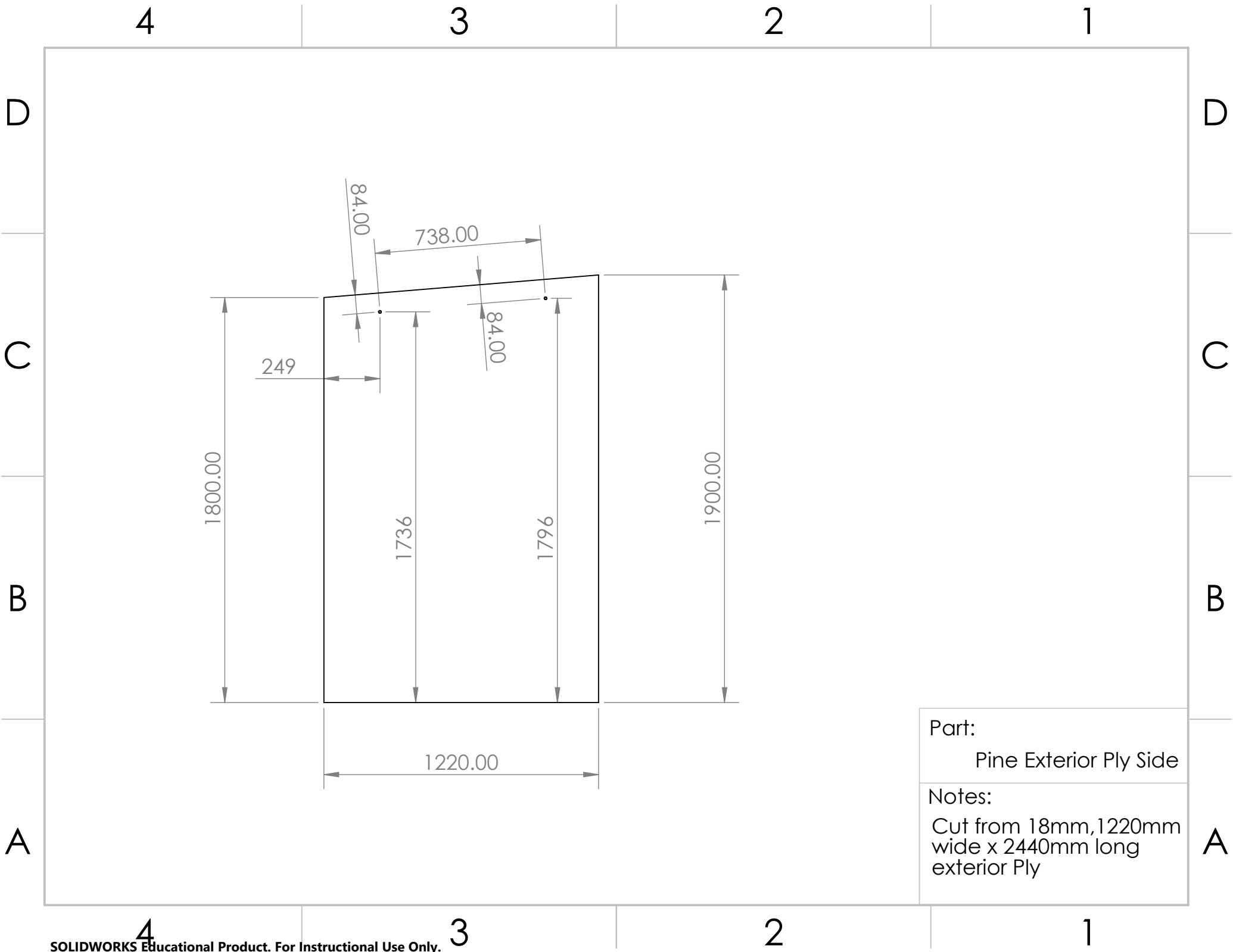
Notes: Roof runners are spaced equally and centered on the frame. Sheet metal is to be attached with gasketed sheetmetal screws.



Part:  
Pine Exterior Ply Rear

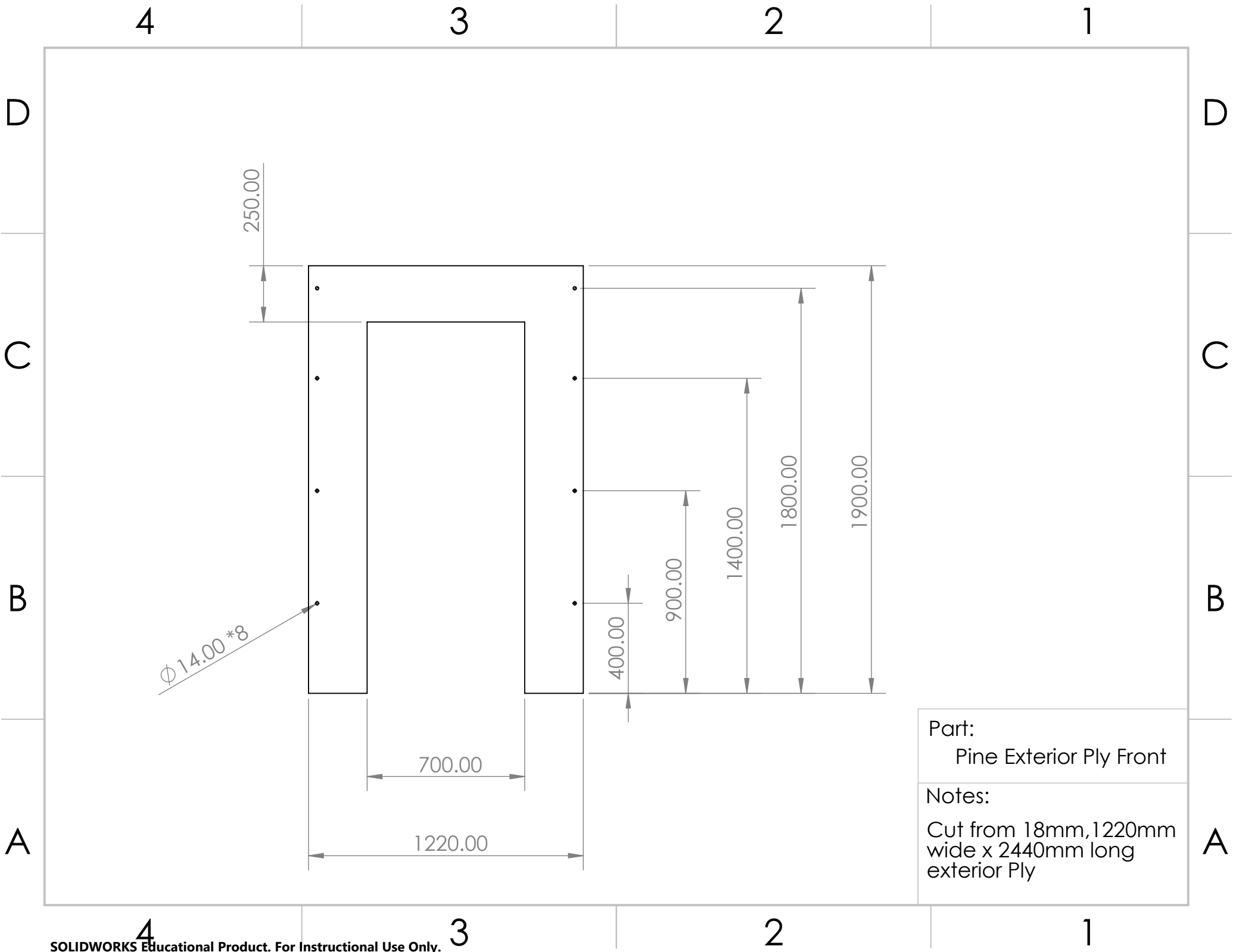
Notes:  
Cut from 18mm, 1220mm  
wide x 2440mm long  
exterior Ply

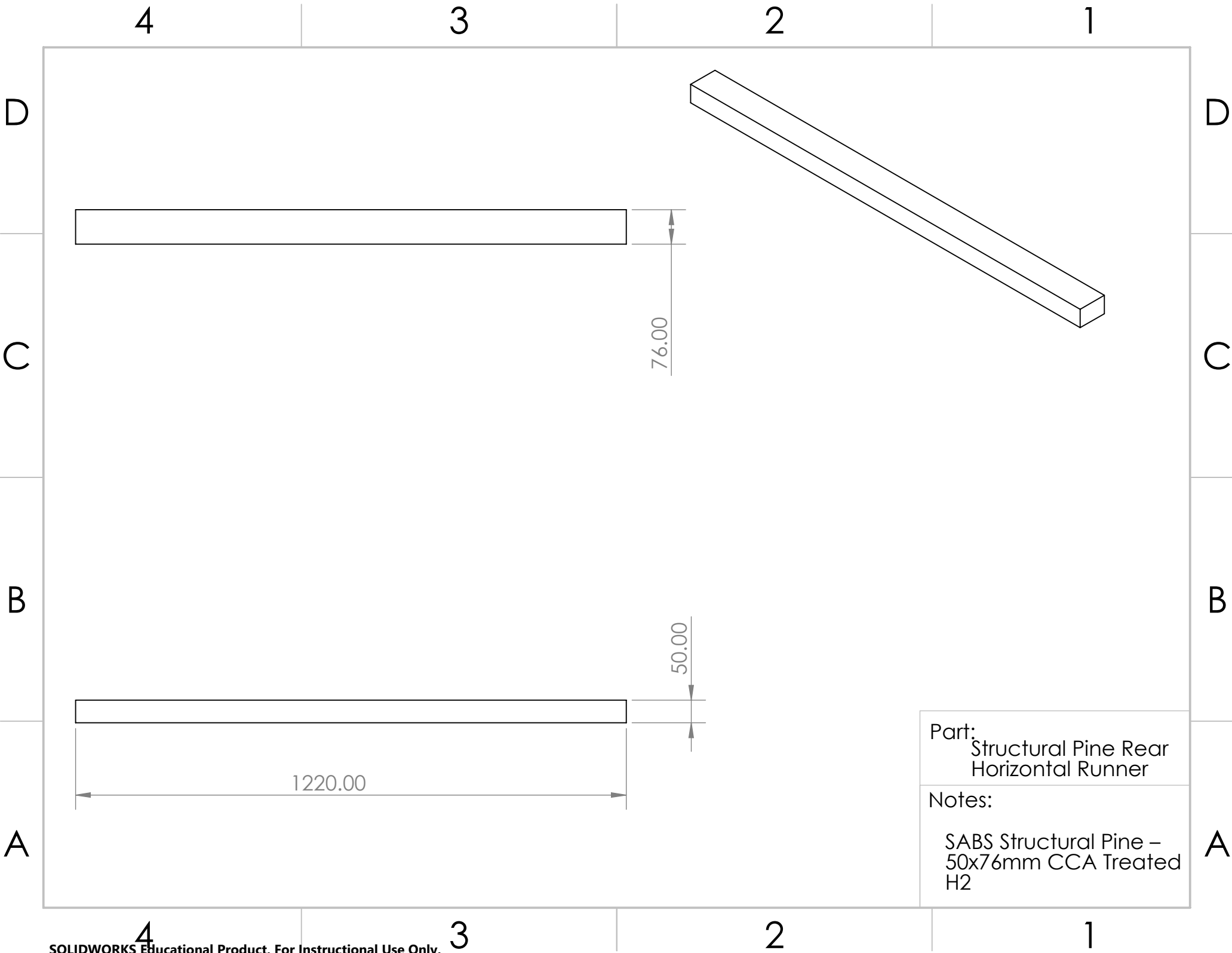


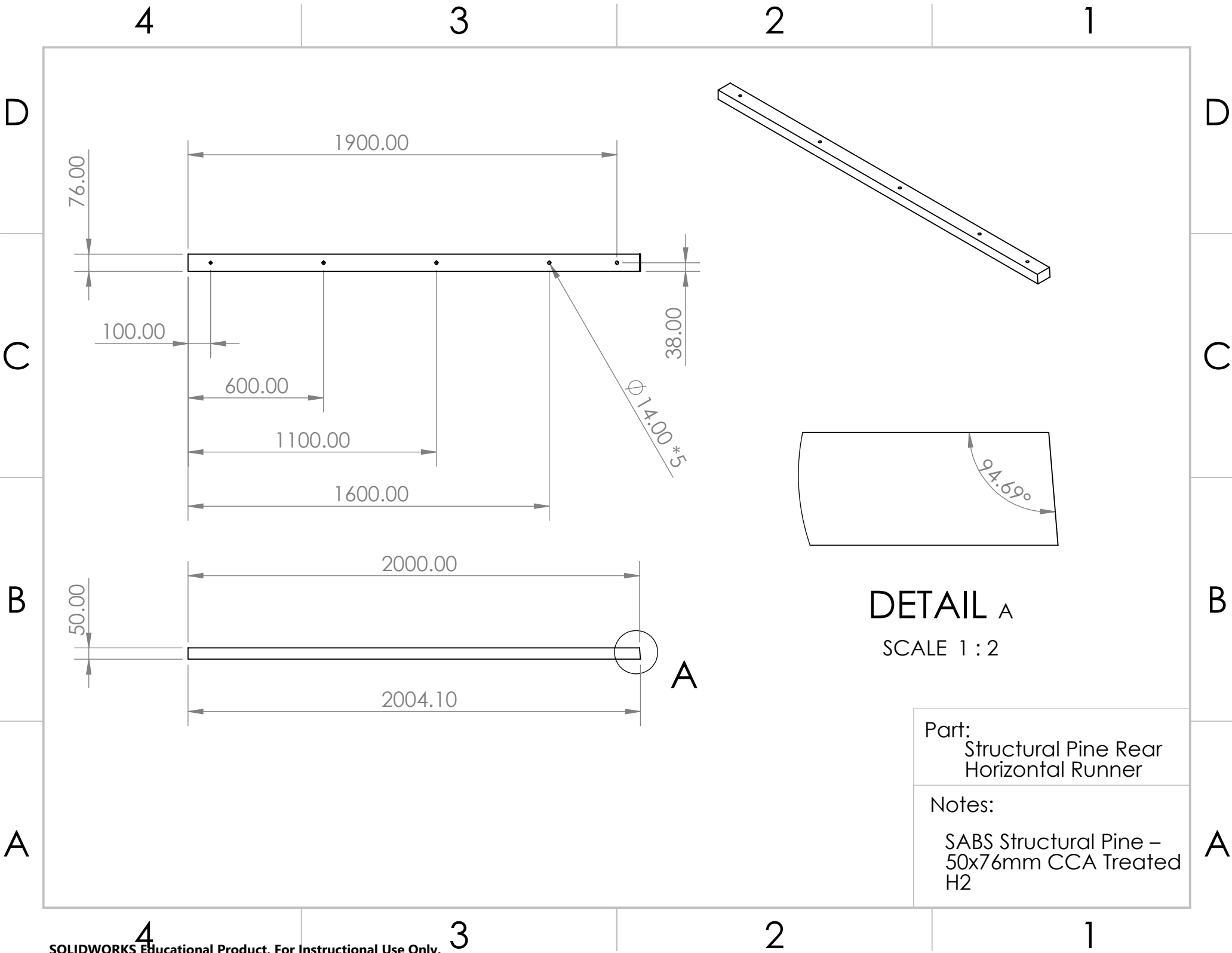


Part:  
Pine Exterior Ply Side

Notes:  
Cut from 18mm, 1220mm wide x 2440mm long exterior Ply







4

3

2

1

D

D

C

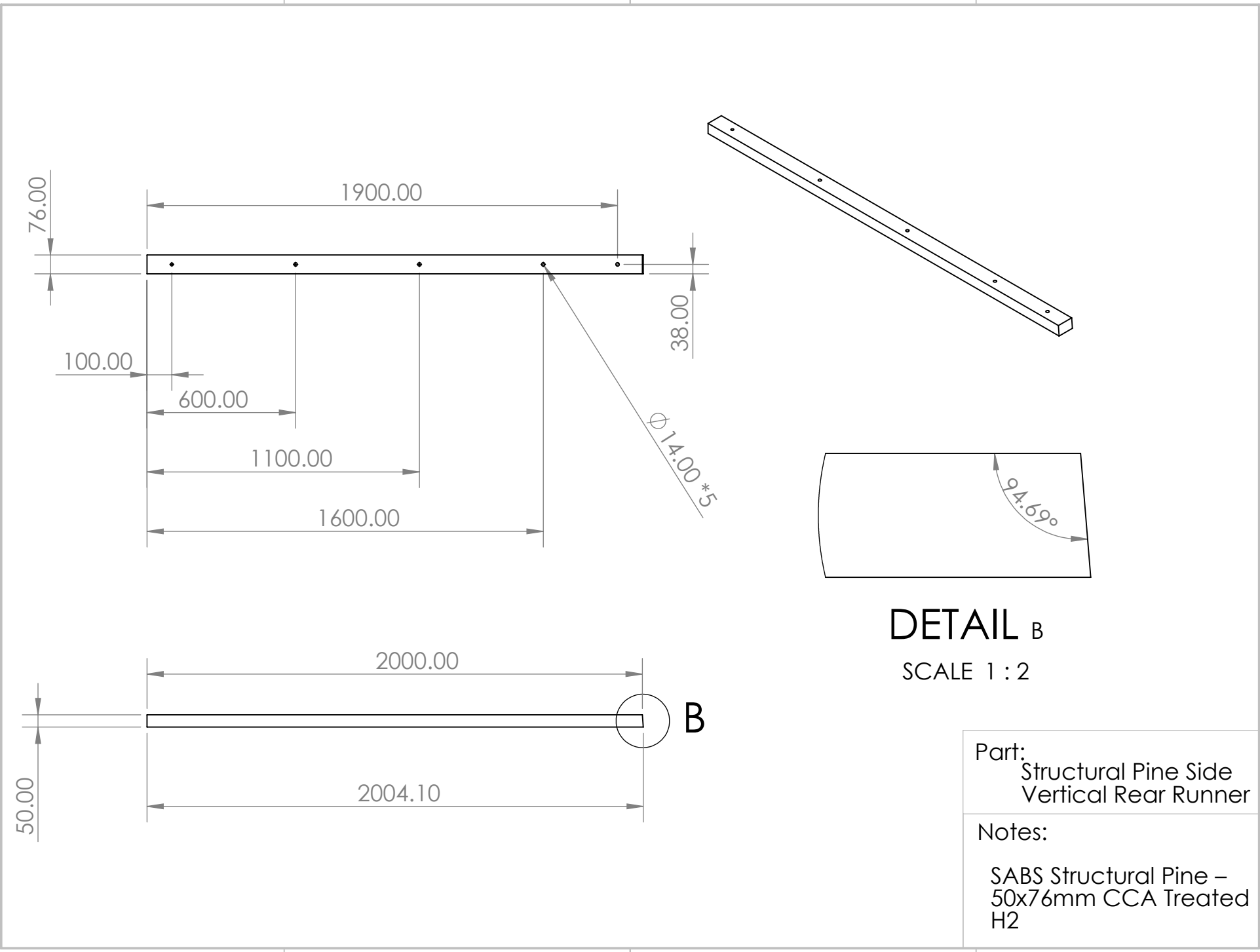
C

B

B

A

A



DETAIL B

SCALE 1 : 2

Part:  
Structural Pine Side  
Vertical Rear Runner

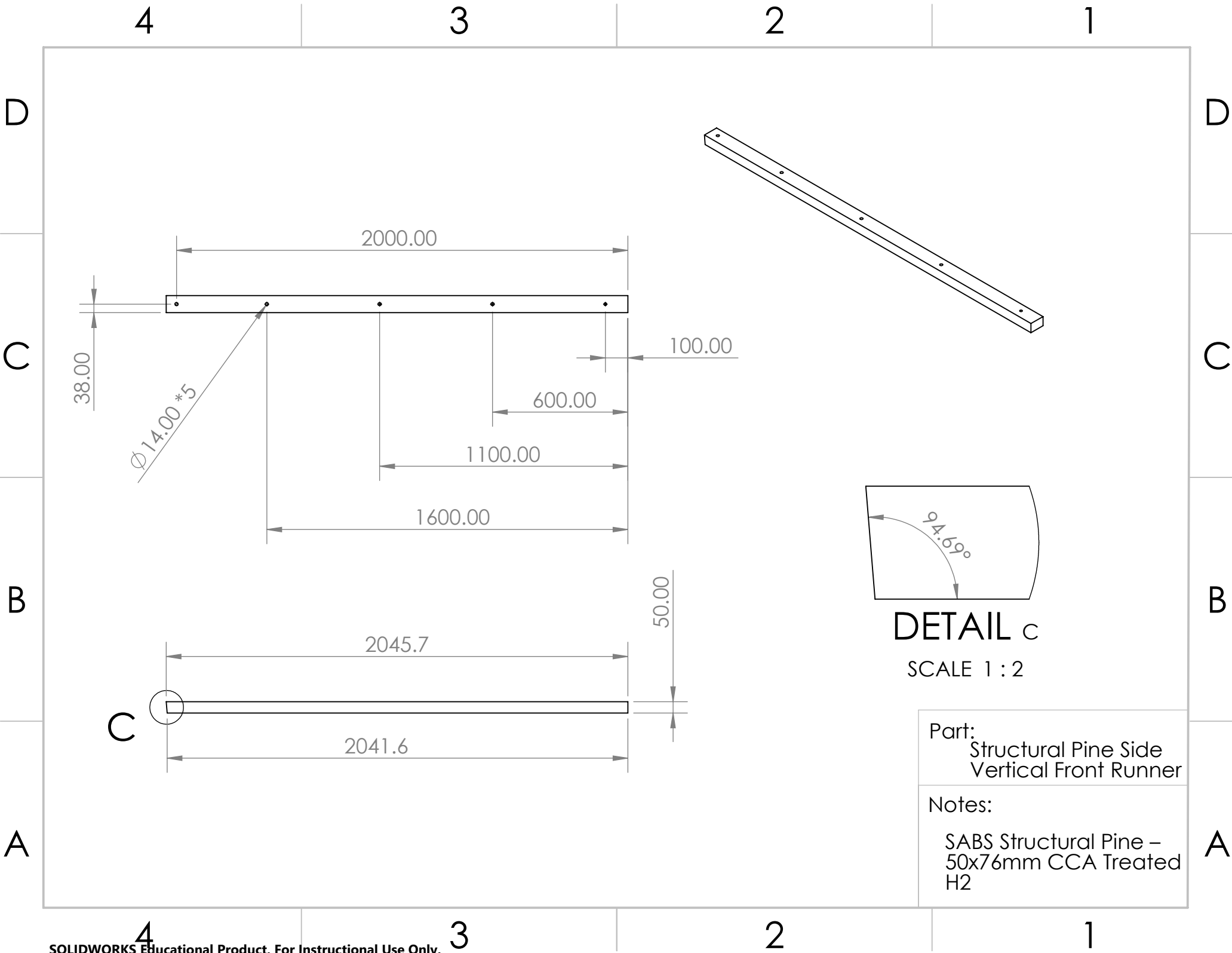
Notes:  
SABS Structural Pine –  
50x76mm CCA Treated  
H2

4

3

2

1



4

3

2

1

D

D

76.00

C

C

B

B

A

A

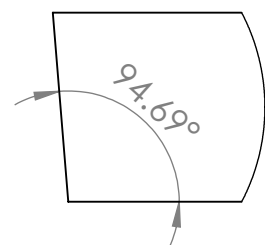
G

1123.8

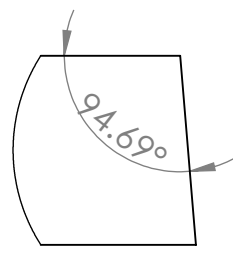
F

50.00

1127.9



**DETAIL G**  
SCALE 1 : 2



**DETAIL F**  
SCALE 1 : 2

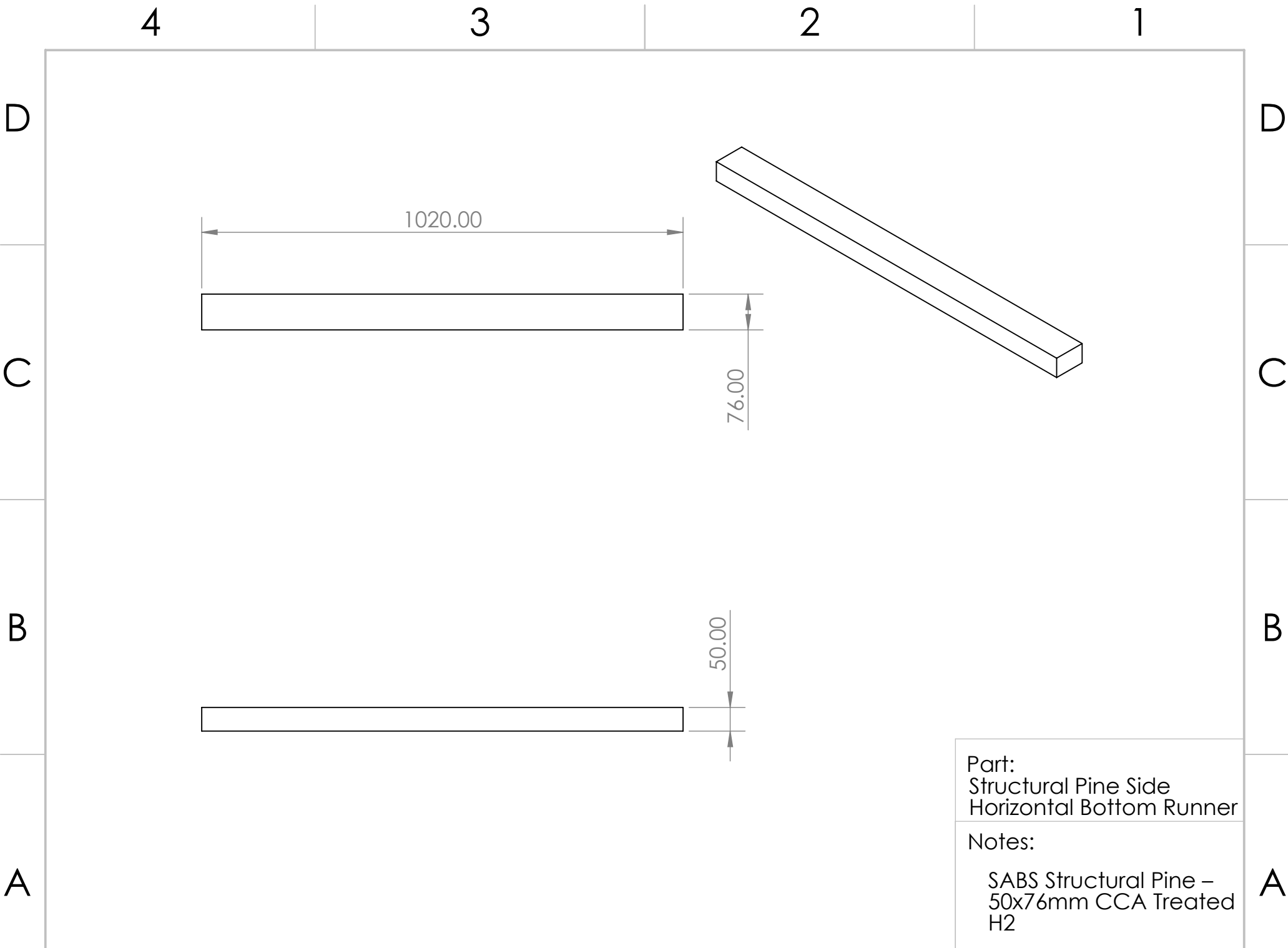
Part:	Structural Pine Side Horizontal Top Runner
Notes:	SABS Structural Pine – 50x76mm CCA Treated H2

4

3

2

1



Part:  
Structural Pine Side  
Horizontal Bottom Runner

Notes:  
SABS Structural Pine –  
50x76mm CCA Treated  
H2



4

3

2

1

D

D

C

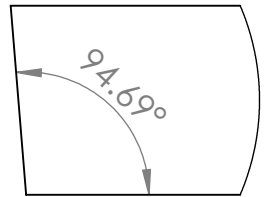
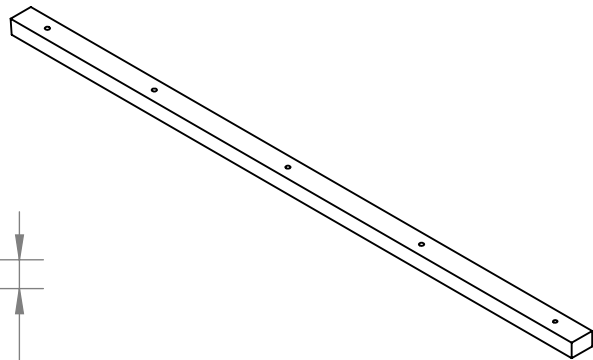
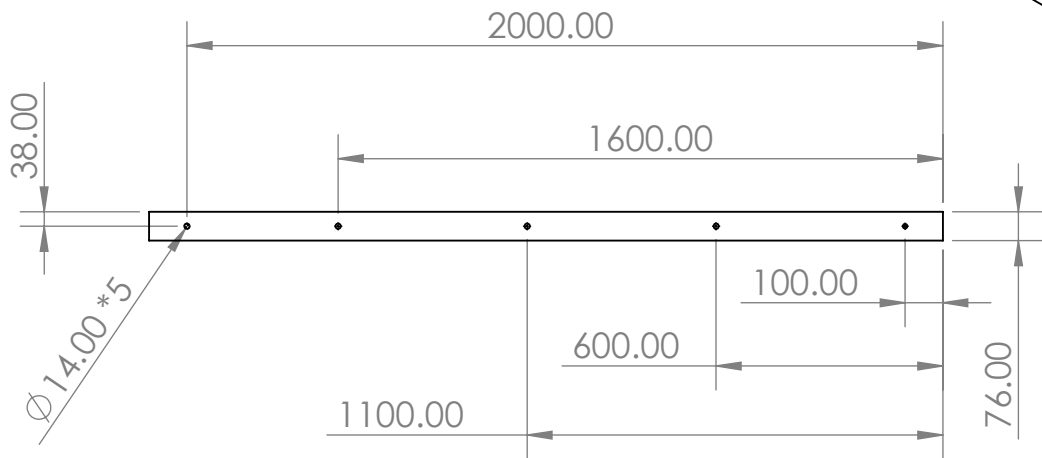
C

B

B

A

A



**DETAIL H**

SCALE 1 : 2

Part:	Structural Pine Front Runner
Notes:	SABS Structural Pine – 50x76mm CCA Treated H2

H

2100.00

50.00

2095.90

4

3

2

1

4

3

2

1

D

D

C

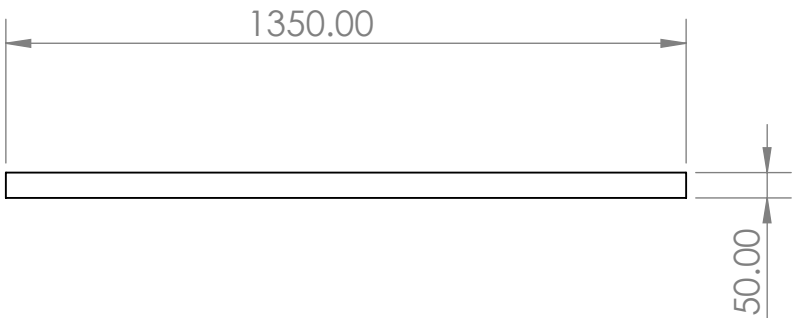
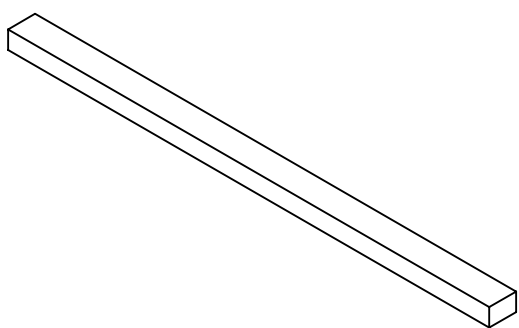
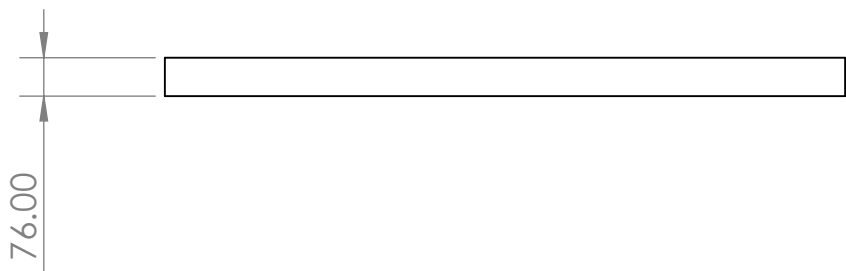
C

B

B

A

A



Part:	Structural Pine Roof Front Beam
Notes:	SABS Structural Pine – 50x76mm CCA Treated H2

4

3

2

1

4

3

2

1

D

D

C

C

B

B

A

A

50.00

1350.00

76.00

\*\*Same as structural\*\*  
pine roof front beam

Part:  
Structural Pine Roof  
Side Beam

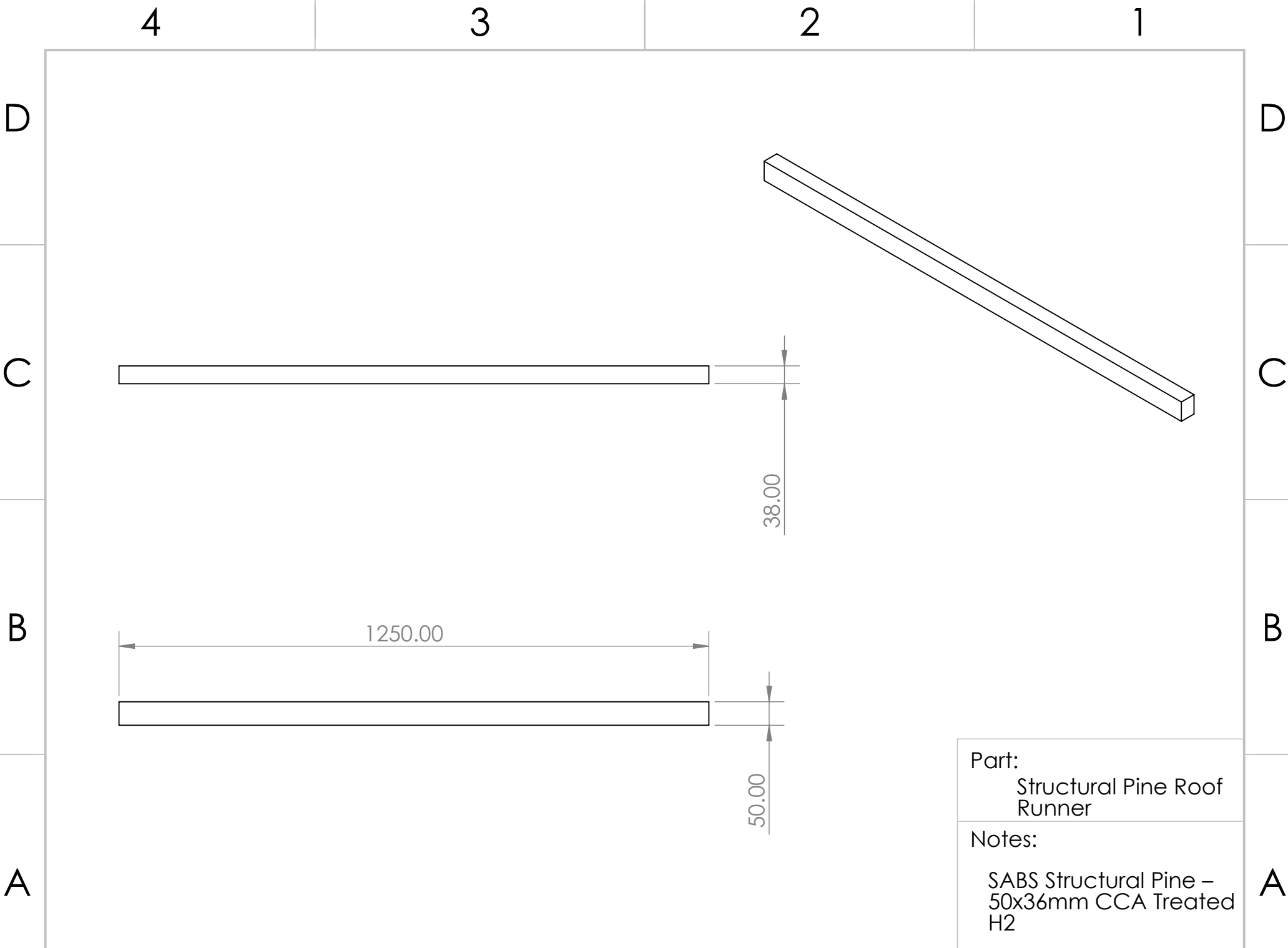
Notes:  
SABS Structural Pine –  
50x76mm CCA Treated  
H2

4

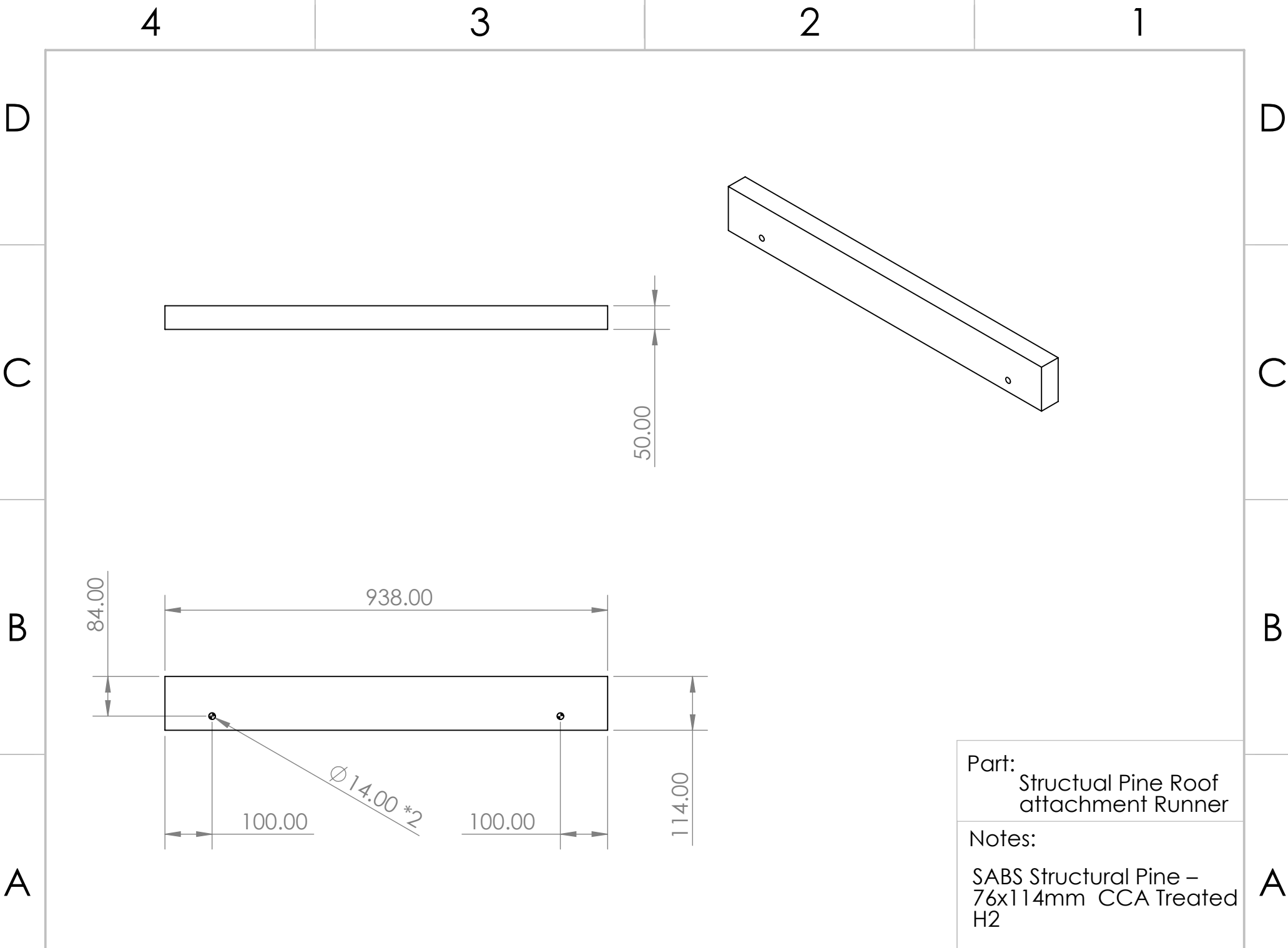
3

2

1



Part:	Structural Pine Roof Runner
Notes:	SABS Structural Pine – 50x36mm CCA Treated H2



Part:  
Structural Pine Roof  
attachment Runner

Notes:  
SABS Structural Pine –  
76x114mm CCA Treated  
H2

4

3

2

1

D

D

C

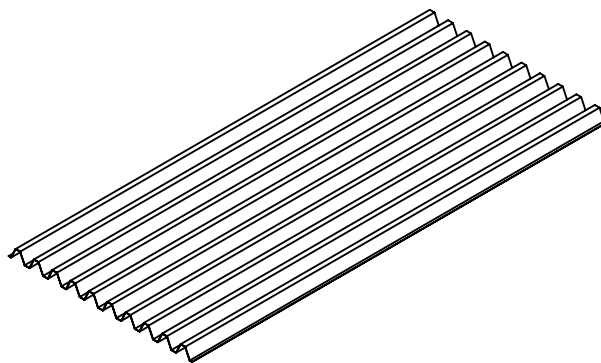
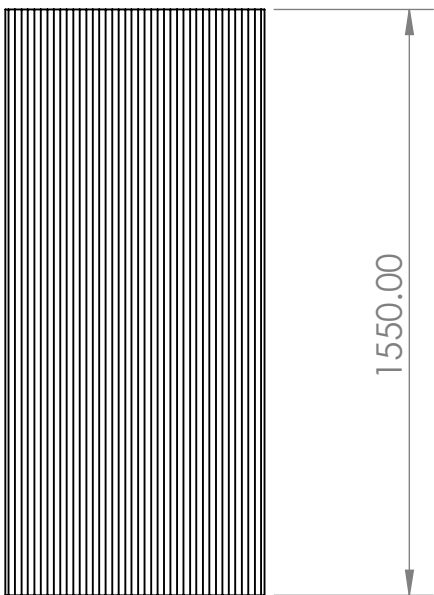
C

B

B

A

A



Part:	Sheetmetal Roof
Notes:	corrugated galvanized steel Z150 3.6m x 0.47mm

4

3

2

1